



Welcome to the patented **ALUMAT system**

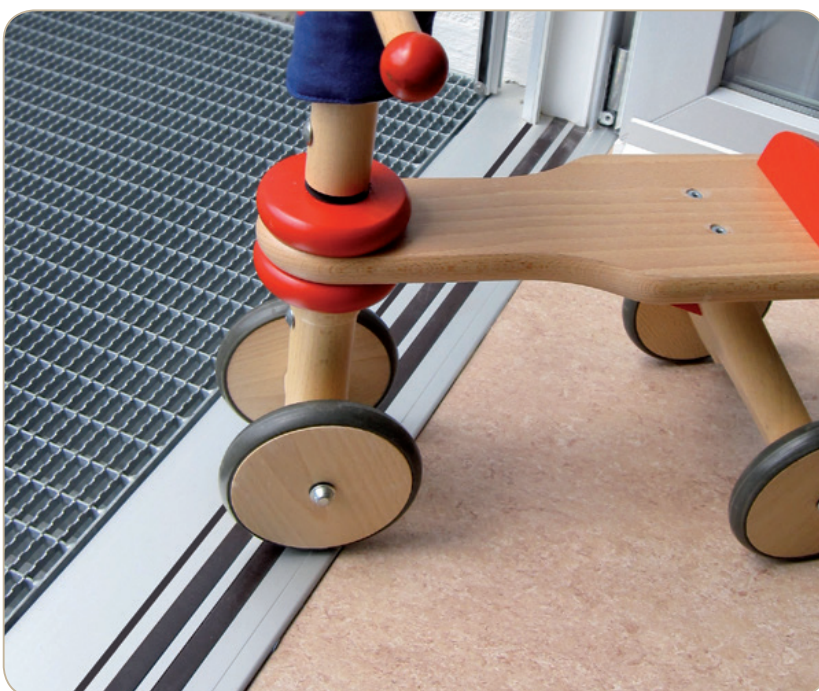
Smart details for high living comfort

- The barrier-free ALUMAT magnetic double seals
- Door threshold profiles
- Door renovation profiles
- Sealing strips for windows and doors

April 2015 · subject to technical change



For detailed documentation and installation guidelines please refer to our website www.alumat.de



	Page
Magnetic door seals for entry, terrace and balcony doors new building profiles	4 - 7
Magnetic door seals for entry, terrace and balcony doors renovation profiles	8 - 10
Magnetic door seals for lifting/sliding doors new building profiles	11 - 13
Flat threshold for lifting/sliding doors renovation profile	14 - 15
Threshold sealing for models MFAT/MHST	16
Magnetic door seals for internal doors	17 - 20
Door threshold profiles	21 - 23
Door renovation profiles	24
Sealing strips for windows and doors	25
Order forms Model MFAT / MFZ / MHST / HST	26 - 33
Overview of system-dependent seals for MFAT 20/MFZ 20	34

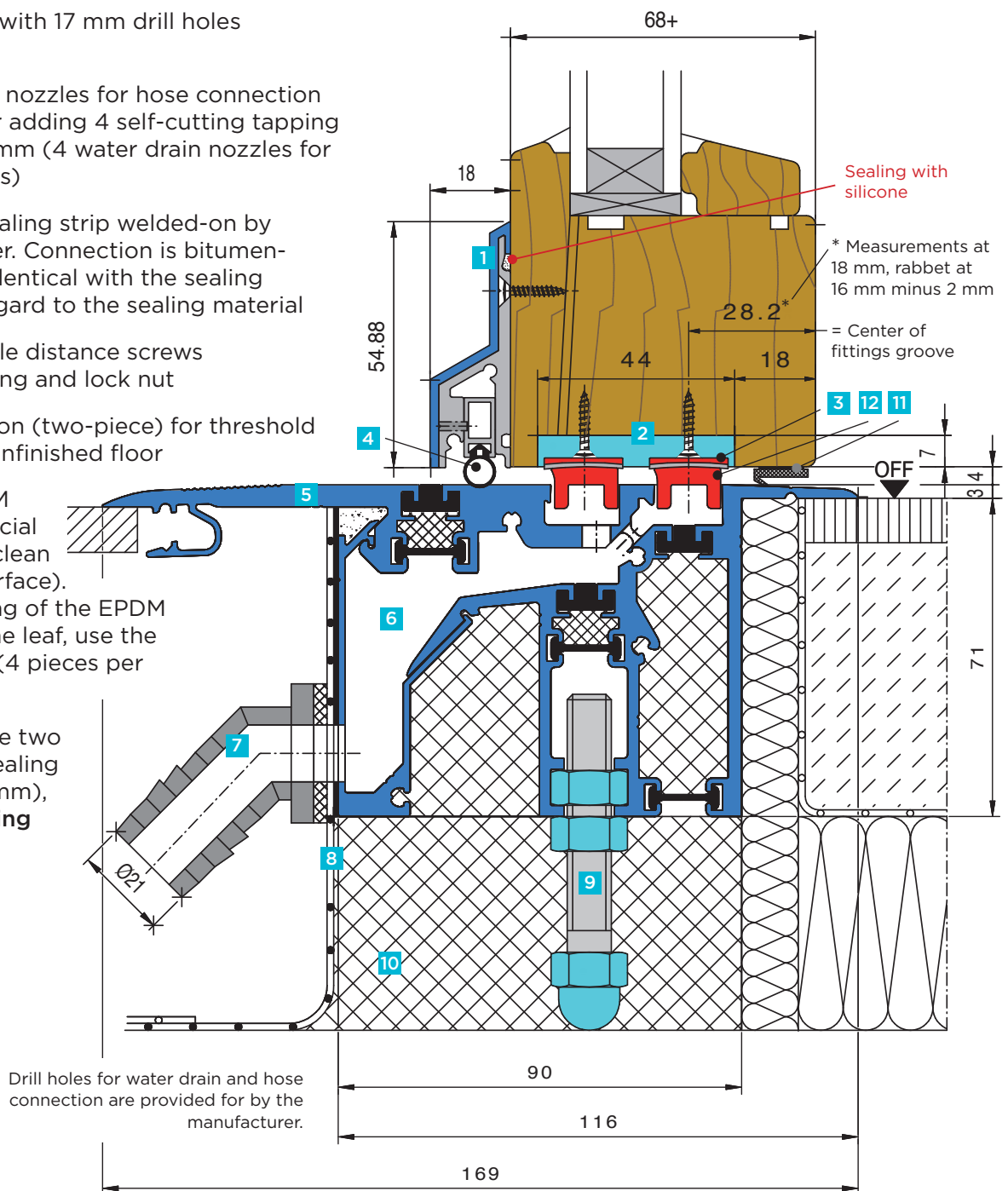


- 1 Aluminum weatherboard with profile cover optionally, surface EV1 silver, bronze C33, white RAL 9016 or blank.
- 2 Plastic magnet carrier profile 7 x 43 mm (brown or white)
- 3 Upper magnetic sealing profiles with insulation and double adhesive tape (3 x 17 mm). For durable fixing of the upper magnets, use the brads attached (4 pieces per meter).
- 4 Adjustable silicone contact seal inside the weatherboard, 2 threaded pins 5 x 6 mm for invisible fixing with threaded bores
- 5 Aluminum floor profile **thermally broken (3-fold) with thermal insulation** EV1 anodized with protective cover with drain bores
- 6 Water reservoir with 17 mm drill holes for water drain
- 7 Two water drain nozzles for hose connection by the customer adding 4 self-cutting tapping screws 4.2 x 19 mm (4 water drain nozzles for lap-jointed doors)
- 8 Extra charge, sealing strip welded-on by the manufacturer. Connection is bitumen-compatible or identical with the sealing material with regard to the sealing material
- 9 Height-adjustable distance screws M10 with adjusting and lock nut
- 10 Thermal insulation (two-piece) for threshold support to the unfinished floor
- 11 Additional EPDM sealing with special adhesive tape (clean the adhesion surface). For durable fixing of the EPDM sealing below the leaf, use the brads attached (4 pieces per meter).
- 12 Always insert the two lower magnet sealing profiles (9 x 15 mm), **with nose pointing outside**.

Included in delivery and calculation as per fixed lengths (no clippings). Measurements = door frame external dimension including fixed-glazed side parts (up to length of 6,000 mm max.)

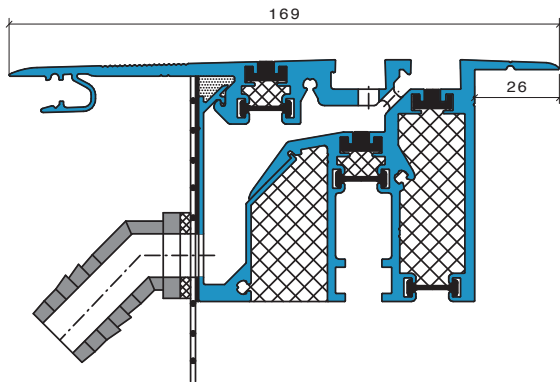
Upon request, however, **not available in standard delivery:** Terrace sealing at the magnetic double seal, pre-assembled by the manufacturer, with planned sealing (150 mm) to the masonry, considering professional rules, consisting of composite sheet profiles and welded-on sealing strip, standard WOLFEN, option EVALON, d=1.5 mm, sheet width 550 mm as well as two unpacked external corners.

Other plastic sealing sheets, e.g. on PVC-pnb, EVA-PVC, FPO/TPO, chlorinated polyethylene, EPDM basis are available on site.



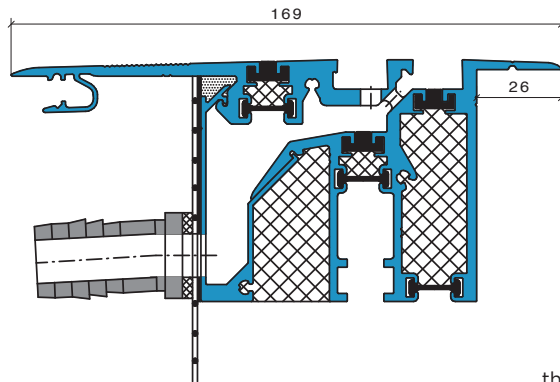
MFAT 10

Standard design with 71 mm floor recess



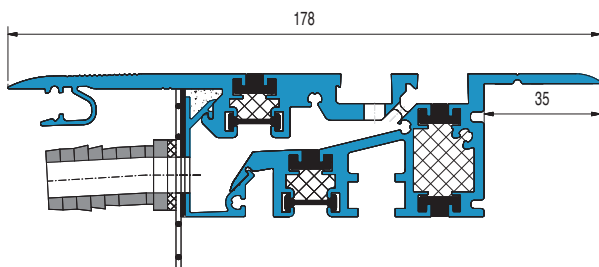
MFAT 10/1

Standard design with straight hose connection

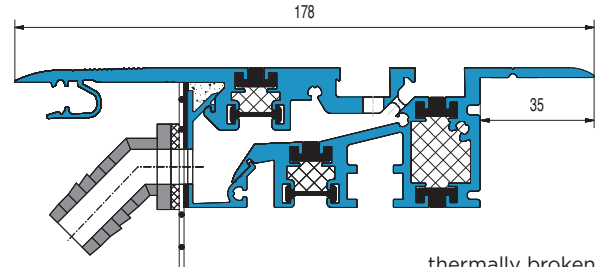


thermally broken (3-fold)

MFAT 10/2 with 40 mm floor recess



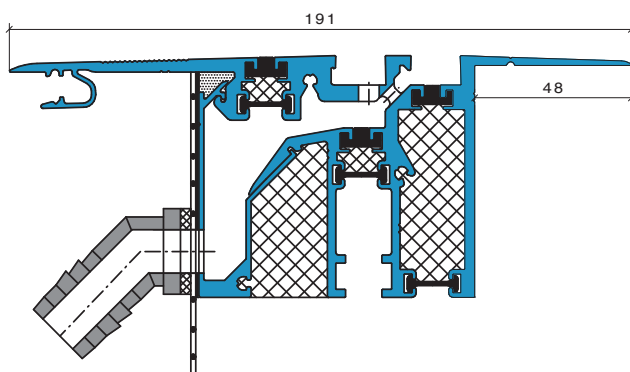
alternatively MFAT 10/3 with straight hose connection



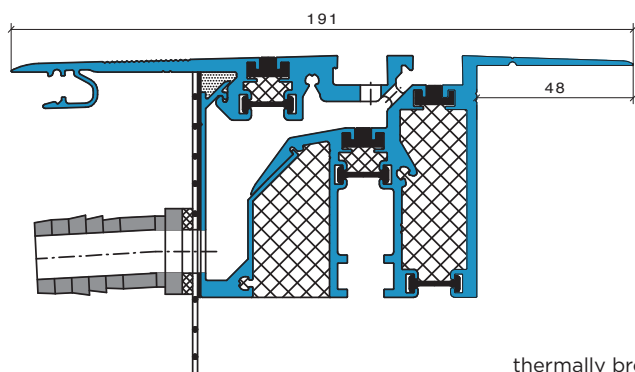
thermally broken (3-fold)

with 71 mm floor recess and extended inner lug for outward opening elements starting from approx. 76 mm door frame width

MFAT 10/4

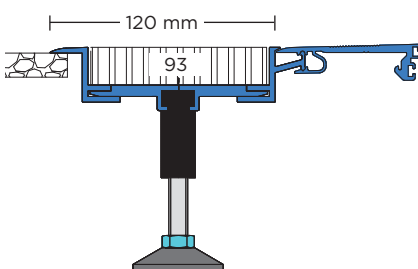


MFAT 10/5



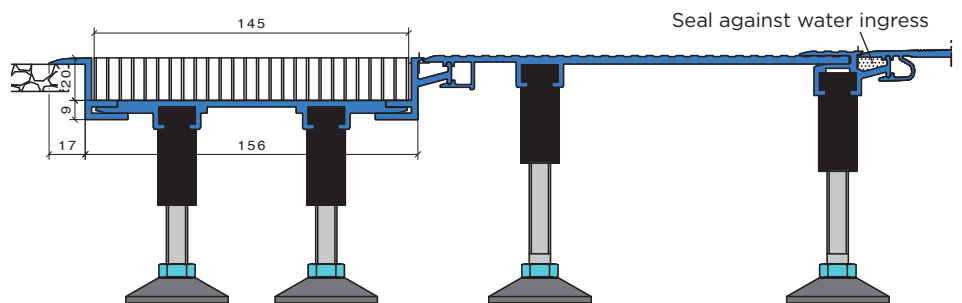
thermally broken (3-fold)

ALUMINUM GUTTER FRAME
with engagement facility and grating
(can also be engaged directly into the threshold)



Alternatively: Aluminum gutter frame 120 mm wide (galvanised grating or perforated stainless steel sheet 93 mm wide)

ALUMINUM BRIDGING PROFILE
flexible adjustment from 85 up to 200 mm



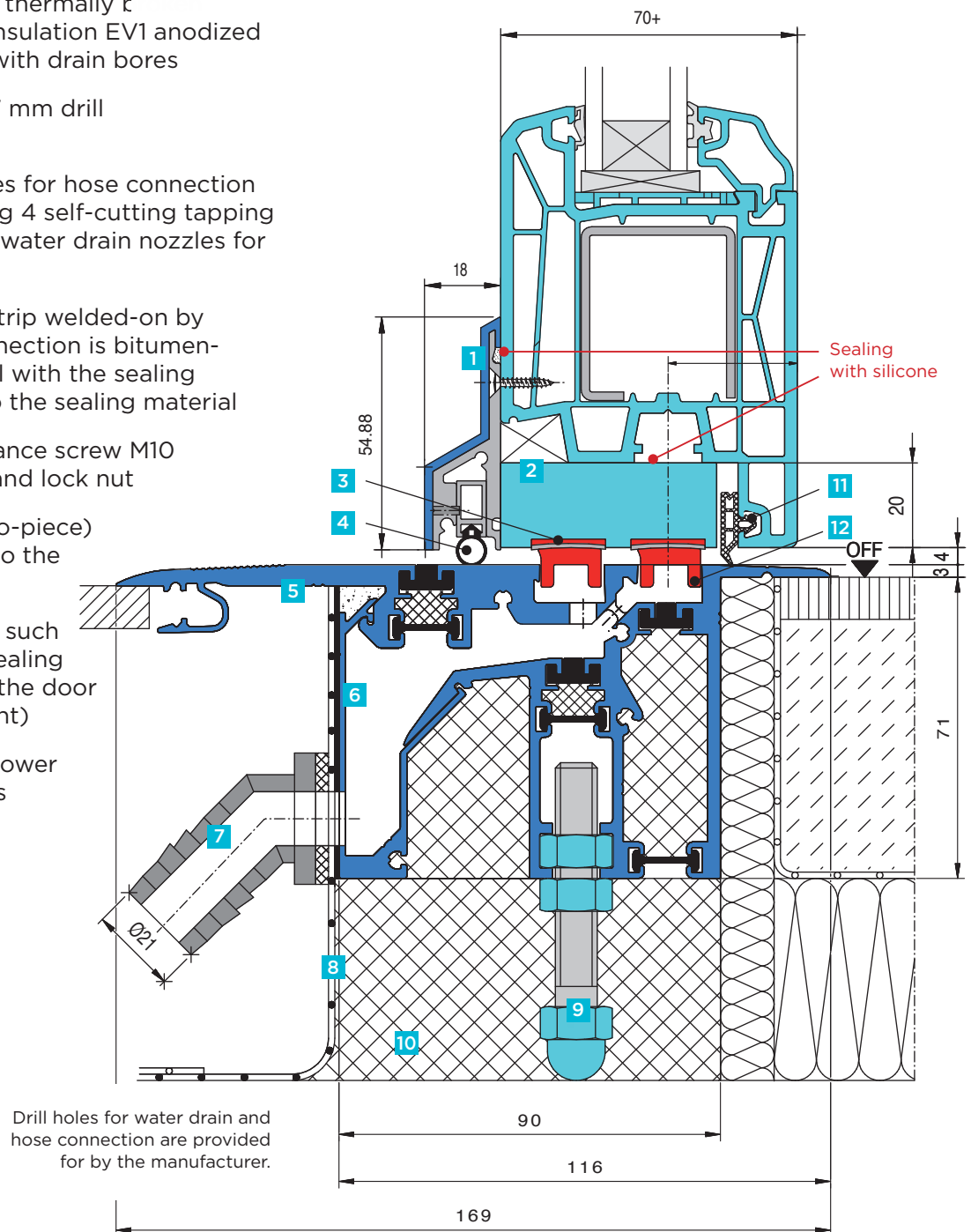
Aluminum gutter frame with grating only possible as architectural concept with drain system implemented by the customer or water gutter

- 1 Aluminum weatherboard with profile cover optionally, surface EV1 silver, bronze C33, white RAL 9016 or blank.
- 2 Plastic magnet carrier profile 20 x 75 mm white (for aluminum doors 20 x 150 mm) for adaption to the construction depth. Note for lap-jointed doors: Internal magnet guide is identical to the fittings groove.
- 3 Upper magnet sealing profile including insulation and double adhesive tape (3 x 17 mm) for durable fixing of the upper magnets, use the brads attached (4 pieces per meter)
- 4 Adjustable silicone contact seal inside the weatherboard, 2 threaded pins 5 x 6 mm for invisible fixing with threaded bores
- 5 Aluminum floor profile thermally k (3-fold) with thermal insulation EV1 anodized with protective cover with drain bores
- 6 Water reservoir with 17 mm drill holes for water drain
- 7 Two water drain nozzles for hose connection by the customer adding 4 self-cutting tapping screws 4.2 x 19 mm (4 water drain nozzles for lap-jointed doors)
- 8 Extra charge, sealing strip welded-on by the manufacturer. Connection is bitumen-compatible or identical with the sealing material with regard to the sealing material
- 9 Height-adjustable distance screw M10 with plastic adjusting and lock nut
- 10 Thermal insulation (two-piece) for threshold support to the unfinished floor
- 11 Additional TPE sealing such that the surrounding sealing level is restored as for the door stop (system dependent)
- 12 Always insert the two lower magnet sealing profiles (9 x 15 mm) **with nose pointing outside.**

Included in delivery and calculation as per fixed lengths (no clippings) **Measurements = door frame** external dimension including fixed-glazed side parts (up to a length of 6,000 mm max.)

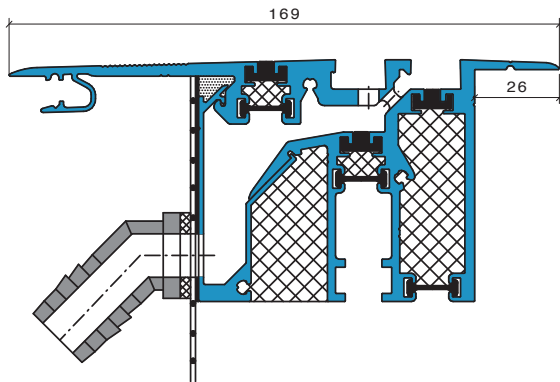
Upon request, however, **not available in standard delivery:** Terrace sealing at the magnetic double seal, pre-assembled by the manufacturer, with planned sealing (150 mm) to the masonry, considering professional rules, consisting of composite sheet profiles and welded-on sealing strip, standard WOLFIN, option EVALON, d=1.5 mm, sheet width 550 mm as well as two unpacked external corners.

Other plastic sealing strips, e.g. on PVC-pnb, EVA-PVC, FPO/TPO, Chlorinated polyethylene, EPDM basis are available on site.



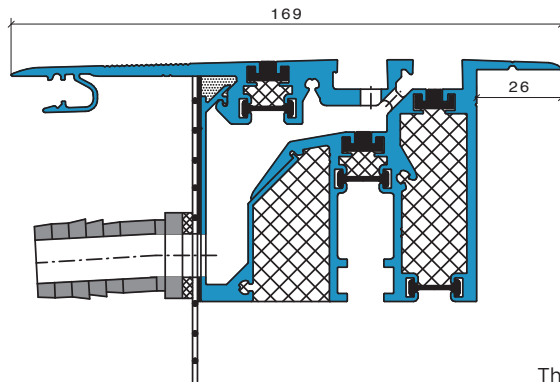
MFAT 20

Standard design with 71 mm floor recess



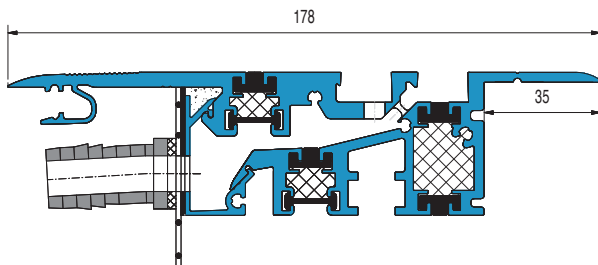
MFAT 20/1

Standard design with straight hose connection

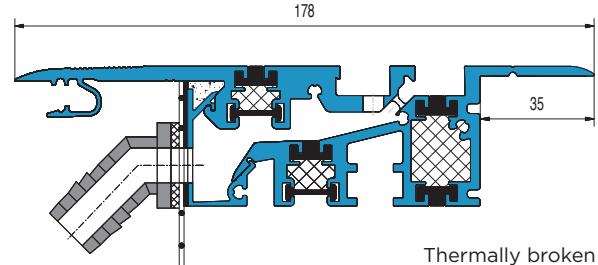


Thermally broken (3-fold)

MFAT 20/2 with 40 mm floor recess



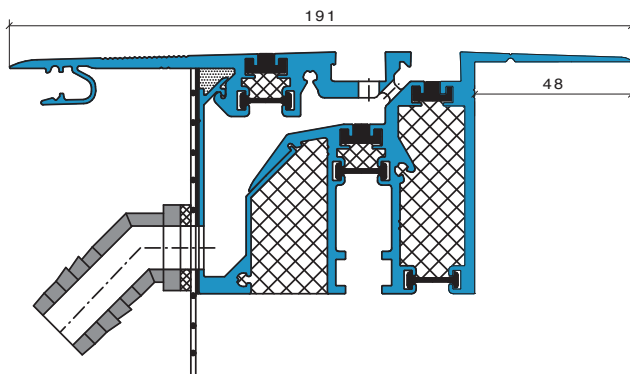
alternatively MFAT 20/3 with straight hose connection



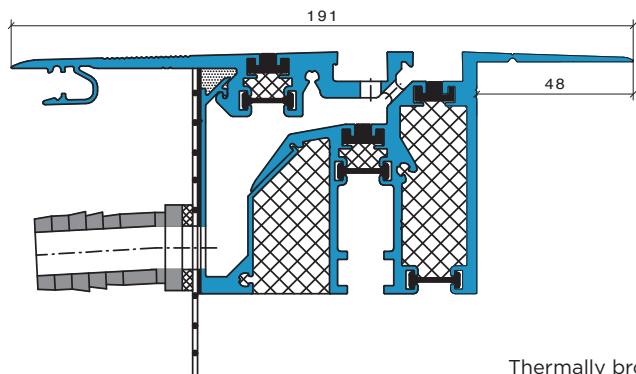
Thermally broken (3-fold)

with 71 mm floor recess and extended inner lug for outward opening elements starting from approx. 76 mm door frame width

MFAT 20/4

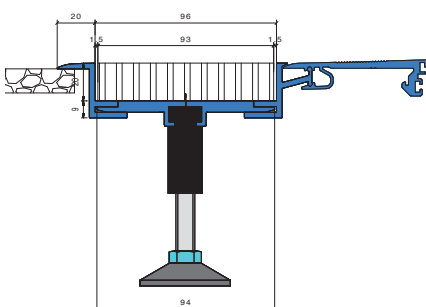


MFAT 20/5



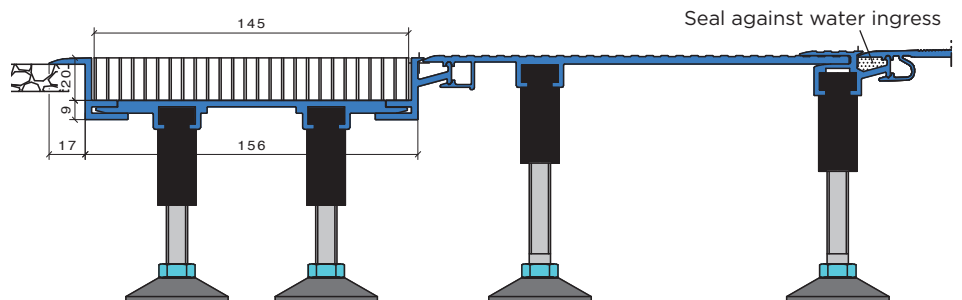
Thermally broken (3-fold)

ALUMINUM GUTTER FRAME with engagement facility and grating (can also be engaged directly into the threshold)



Alternatively: Aluminum gutter frame 120 mm wide (galvanised grating or perforated stainless steel sheet 93 mm wide)

ALUMINUM BRIDGING PROFILE flexible adjustment from 85 up to 200 mm

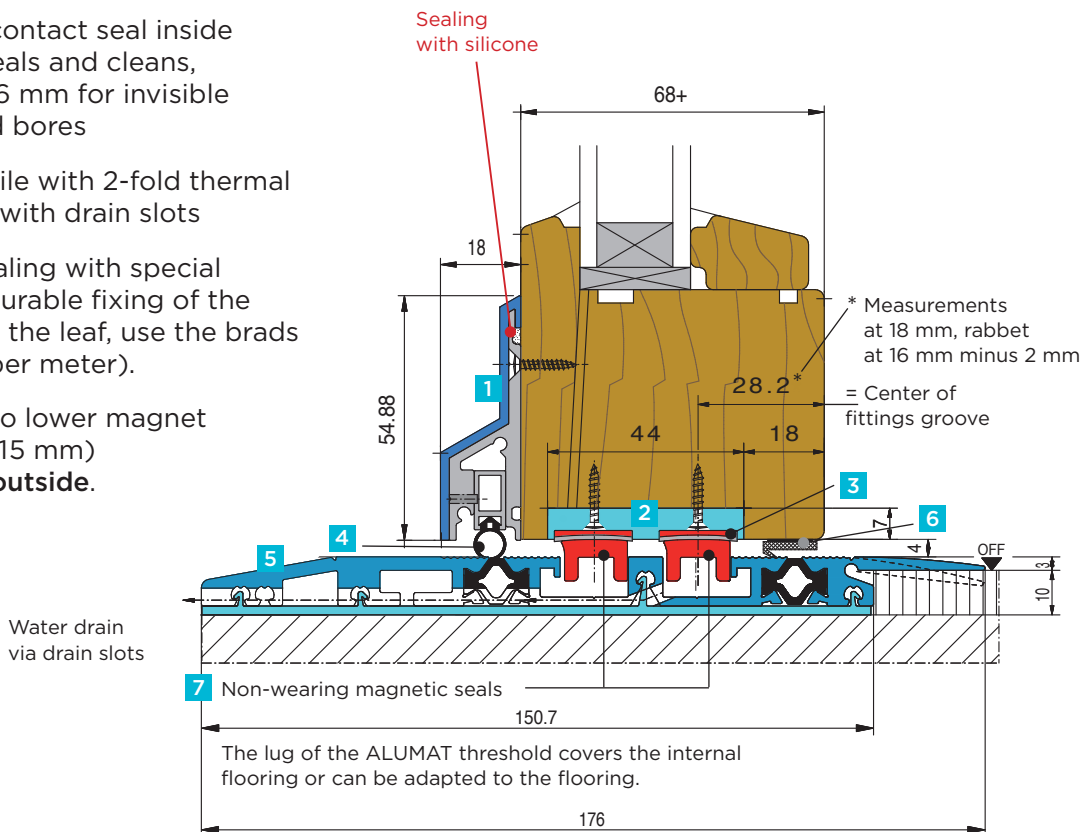


Aluminum gutter frame with grating only possible as architectural concept with drain system implemented by the customer or water gutter

- 1 Aluminum weatherboard with profile cover optionally, surface EV1 silver, bronze C33, white RAL 9016 or blank
- 2 Plastic magnet carrier profile 7 x 43 mm (brown or white)
- 3 Upper magnet sealing profile including insulation and double adhesive tape (3 x 17 mm) for durable fixing of the upper magnets, use the brads attached (4 pieces per meter)
- 4 Adjustable silicone contact seal inside the weatherboard seals and cleans, 2 threaded pins 5 x 6 mm for invisible fixing, with threaded bores
- 5 Aluminum floor profile with 2-fold thermal break EV1 anodized with drain slots
- 6 Additional EPDM sealing with special adhesive tape. For durable fixing of the EPDM sealing below the leaf, use the brads attached (4 pieces per meter).
- 7 Always insert the two lower magnet sealing profiles (9 x 15 mm) with nose pointing outside.

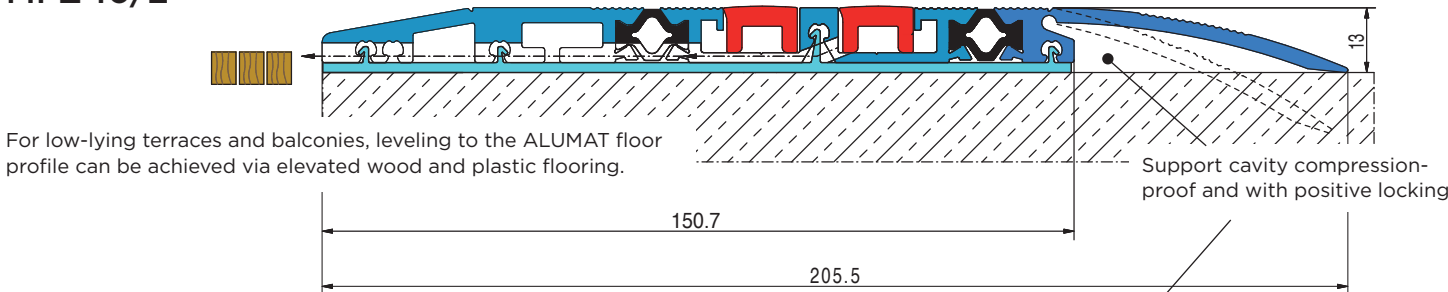
The magnetic threshold is cut and delivered in fixed lengths to the door frame external dimension (up to a length of 6,000 mm max.)

MFZ 10/1

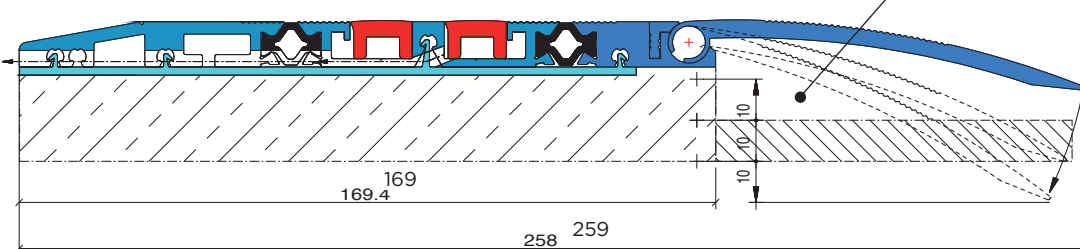


The threshold has to be removed for built-in external doors in old buildings. The barrier-free ALUMAT threshold has to be adapted to the door frame rabet and the door has to be either extended or shortened with a distance of 4 mm to the ALUMAT floor profile.

MFZ 10/2

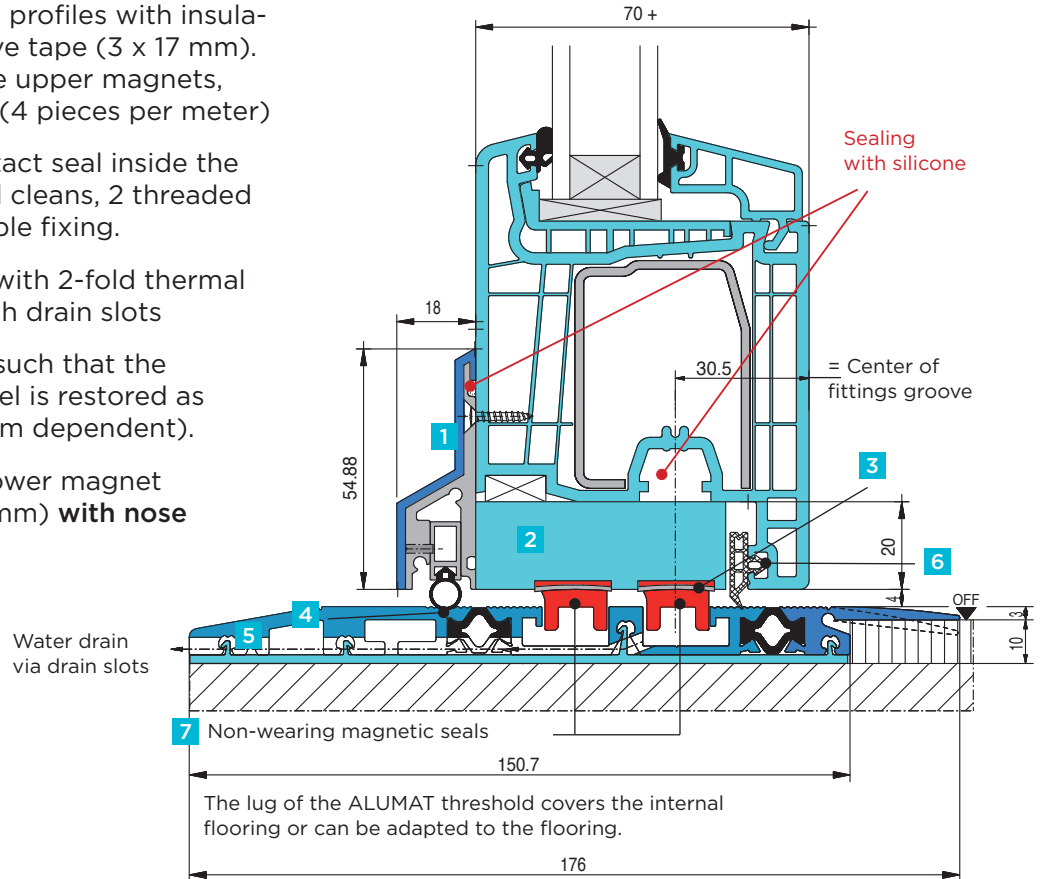


MFZ 10/3



- 1** Aluminum weatherboard with profile cover optionally, surface EV1 silver, bronze C33, white 9016 or blank.
- 2** Plastic magnet carrier profile 20 x 75 mm white (for aluminum doors 20 x 150 mm) for adaption to the construction depth. Note for lap-jointed doors: Internal magnet guide is identical to the fittings groove.
- 3** Upper magnetic sealing profiles with insulation and double adhesive tape (3 x 17 mm). For durable fixing of the upper magnets, use the brads attached (4 pieces per meter)
- 4** Adjustable silicone contact seal inside the weatherboard seals and cleans, 2 threaded pins 5 x 6 mm for invisible fixing.
- 5** Aluminum floor profile with 2-fold thermal break, EV1 anodized with drain slots
- 6** Additional TPE sealing such that the surrounding sealing, level is restored as for the door stop (system dependent).
- 7** Always insert the two lower magnet sealing profiles (9 x 15 mm) **with nose pointing outside.**

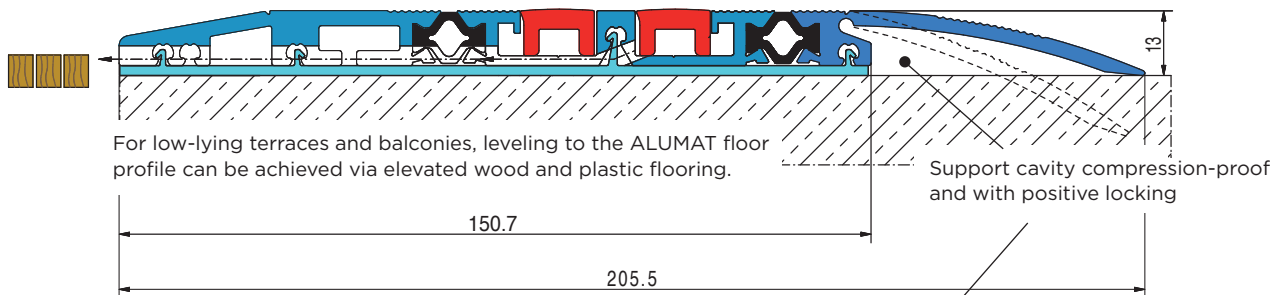
The magnetic threshold is cut and delivered in fixed lengths to the door frame external dimension (up to a length of 6,000 mm max.)



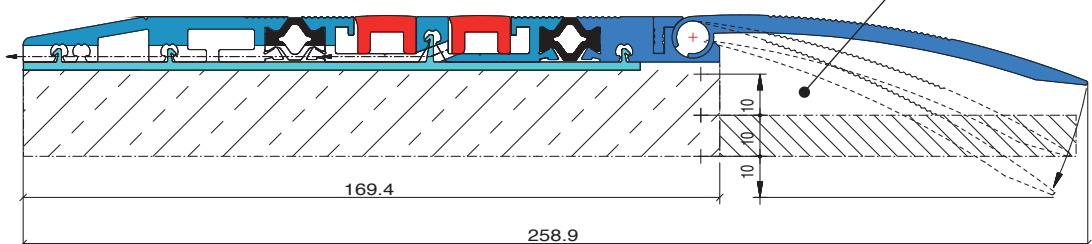
MFZ 20/1

The threshold has to be removed for built-in external doors in old buildings. The barrier-free ALUMAT threshold has to be adapted to the door frame rabbet and the door has to be either extended or shortened with a distance of 4 mm to the ALUMAT floor profile.

MFZ 20/2



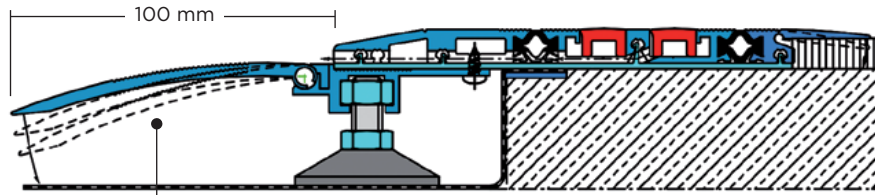
MFZ 20/3



Level differences of higher terrace flooring of 10 to 30 mm to the internal flooring can be bridged with the adjustable slanting ramp.

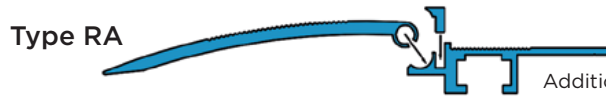
Additional profiles for lower-lying external flooring

MFZ 10/1
or
MFZ 20/1
with Type RA



Support cavity compression-proof and with positive locking!

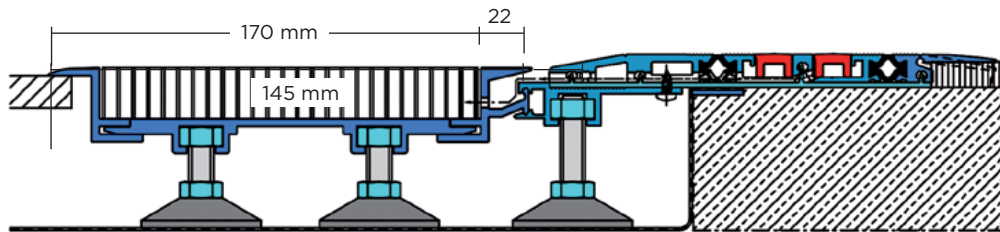
With adjustable screws for level difference of approx. 25-40 to the lower-lying external flooring.



Type RA

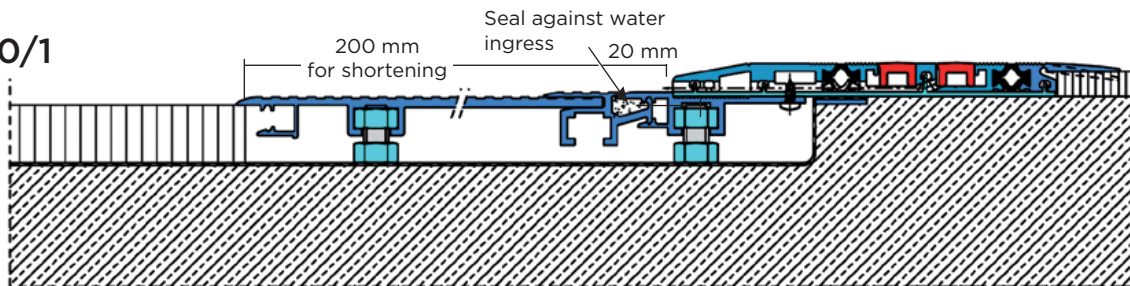
Additional profile for level difference of approx. 25-40 mm.

MFZ 10/1 with aluminum gutter frame with grating
or
MFZ 20/1



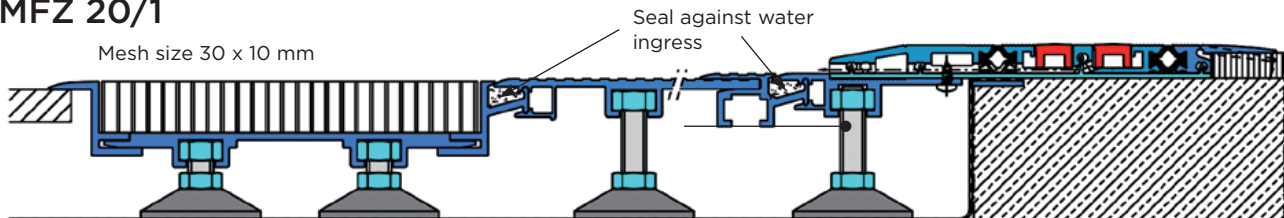
Magnetic double seal with aluminum gutter frame, incl. grating (mesh size 30 x 10 mm) and coupling profile to the threshold.

MFZ 10/1 with aluminum bridging profile
or
MFZ 20/1

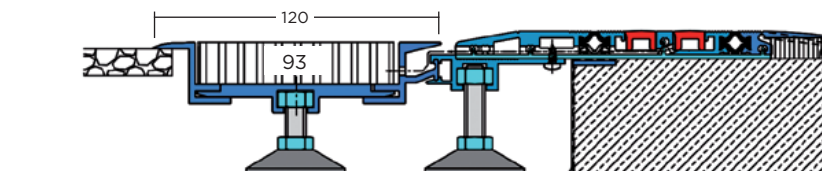


2-fold thermally broken with aluminum bridging profile

MFZ 10/1 with aluminum bridging profile and aluminum gutter frame with grating
or **MFZ 20/1**



Aluminum gutter frame 170 mm with grating 145 mm only possible as architectural concept with drain system implemented by the customer or water gutter.



Alternatively: Aluminum gutter frame 120 mm wide (galvanised grating or perforated stainless steel sheet 93 mm wide)

Aluminum gutter frame with grating only possible as architectural concept with drain system implemented by the customer or water gutter.

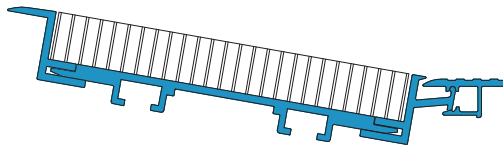


Fig. 1
Aluminum gutter frame for integration of the system gratings with pivoting coupling facility (height-adjustable supporting bolts)

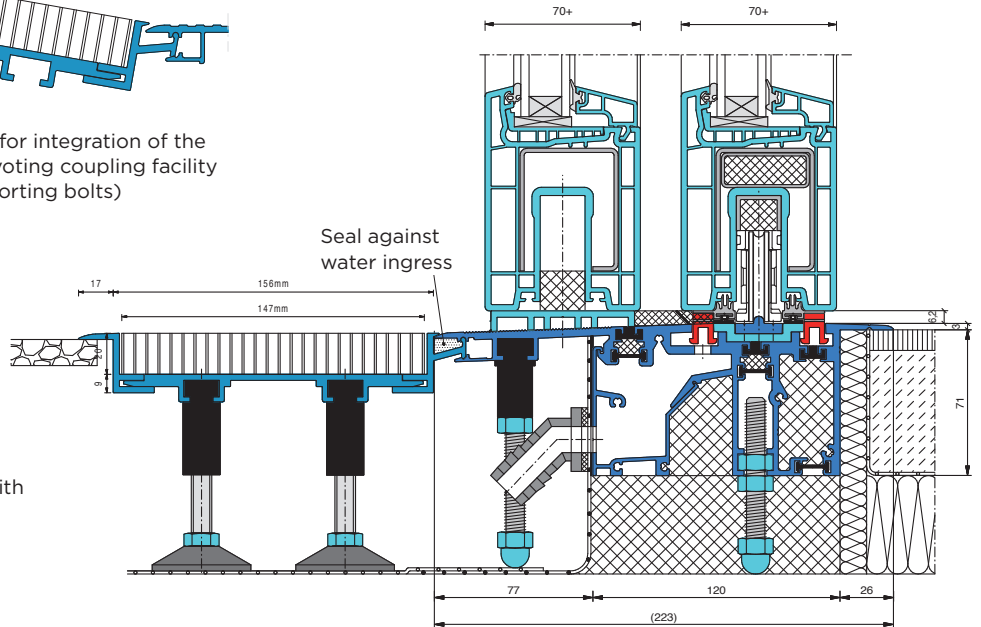


Fig. 2
Aluminum gutter frame coupled with the ALUMAT magnetic double seal

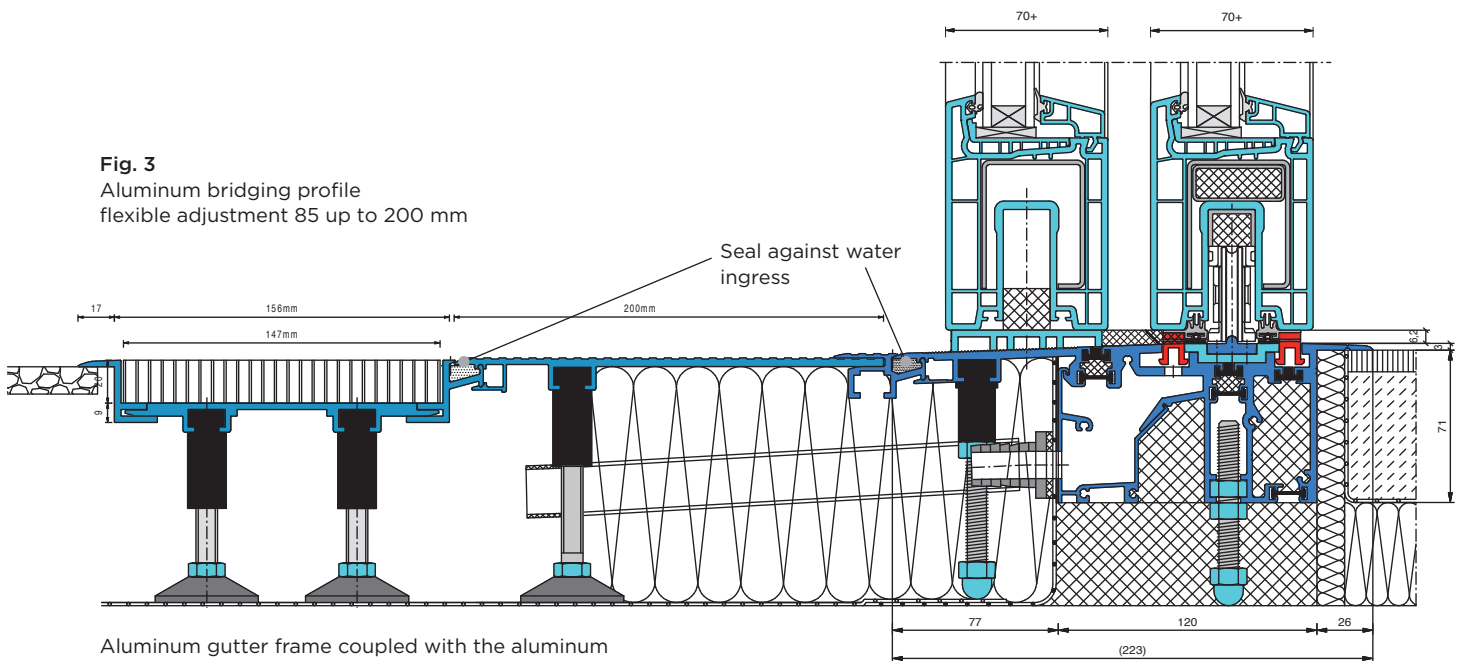
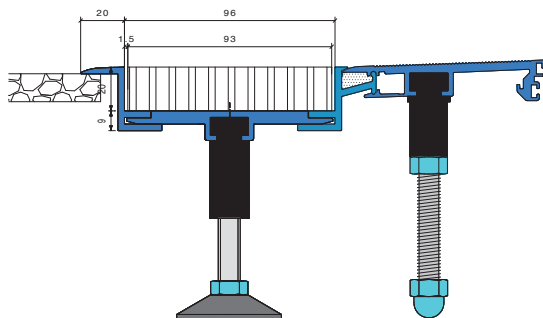


Fig. 3
Aluminum bridging profile flexible adjustment 85 up to 200 mm

Aluminum gutter frame coupled with the aluminum bridging profile and connection to the ALUMAT magnetic double seal.

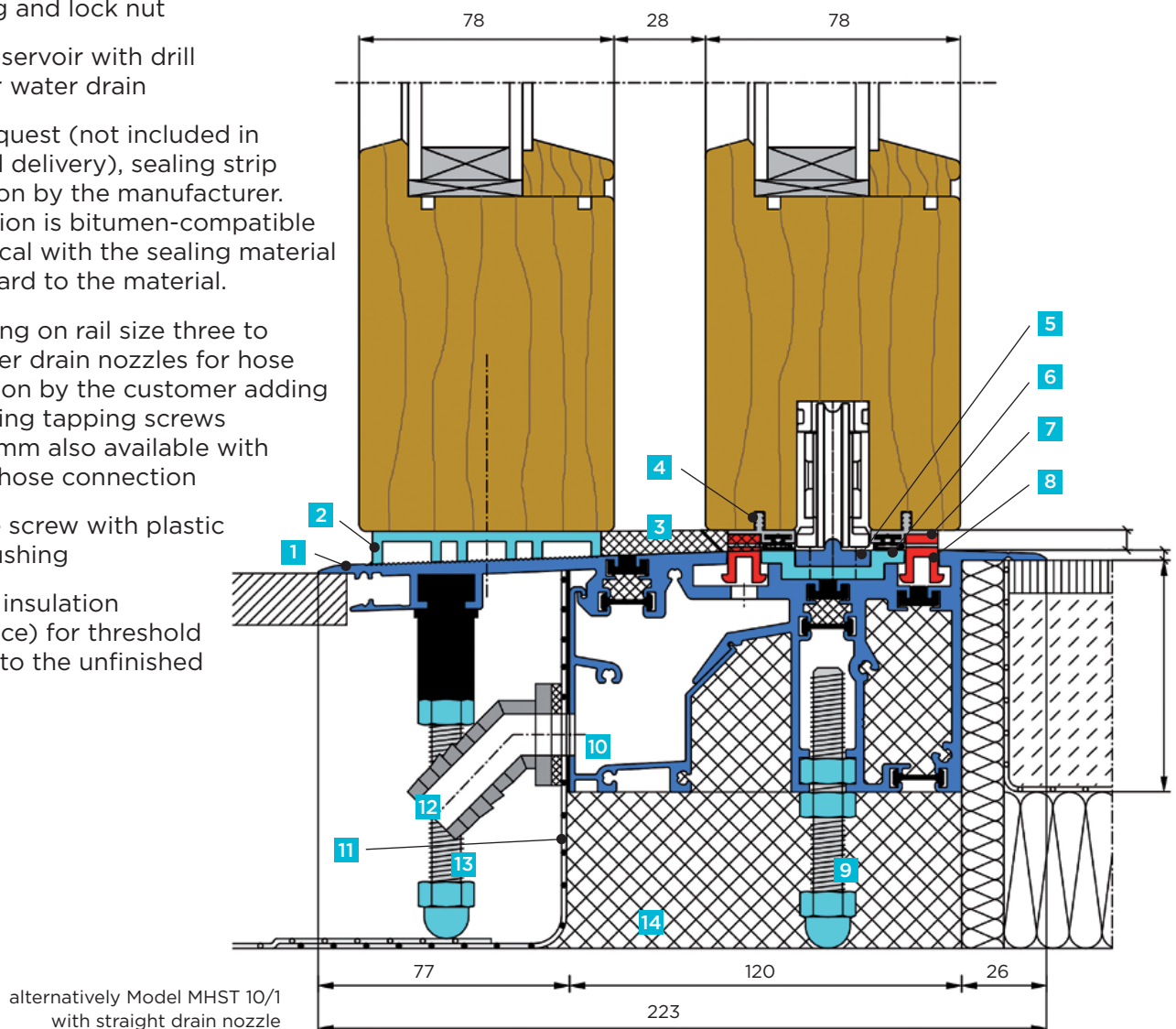


Alternatively: Aluminum gutter frame 120 mm wide (galvanised grating or perforated stainless steel sheet 93 mm wide)

Lifting/sliding door threshold for new buildings with drain

Calculation by stock lengths:
3,000 / 3,500 / 4,000 / 4,500 /
5,000 / 5,500 / 6,000 / 6,500 mm
Cutting to fix sizes

- 1 Lifting/sliding door threshold for new buildings with drain, thermally broken (3-fold) with thermal insulation EV1 anodized
- 2 Plastic adaptor for fixed part white or brown (width 70 mm)
- 3 Two-piece sealing cushion (for fitting)
- 4 Aluminum magnet and sealing holder with EPDM sealing, non-slip adhesion to the EPDM sealing
- 5 Aluminum roller guide
- 6 Plastic roller guide support, small for magnet assembly, large for magnet channel cover
- 7 Upper magnet
- 8 Lower magnet
- 9 Height-adjustable distance screws M10 with plastic adjusting and lock nut
- 10 Water reservoir with drill holes for water drain
- 11 Upon request (not included in standard delivery), sealing strip welded-on by the manufacturer. Connection is bitumen-compatible or identical with the sealing material with regard to the material.
- 12 Depending on rail size three to four water drain nozzles for hose connection by the customer adding self-cutting tapping screws 3.9 x 19 mm also available with straight hose connection
- 13 Distance screw with plastic guide bushing
- 14 Thermal insulation (two-piece) for threshold support to the unfinished floor



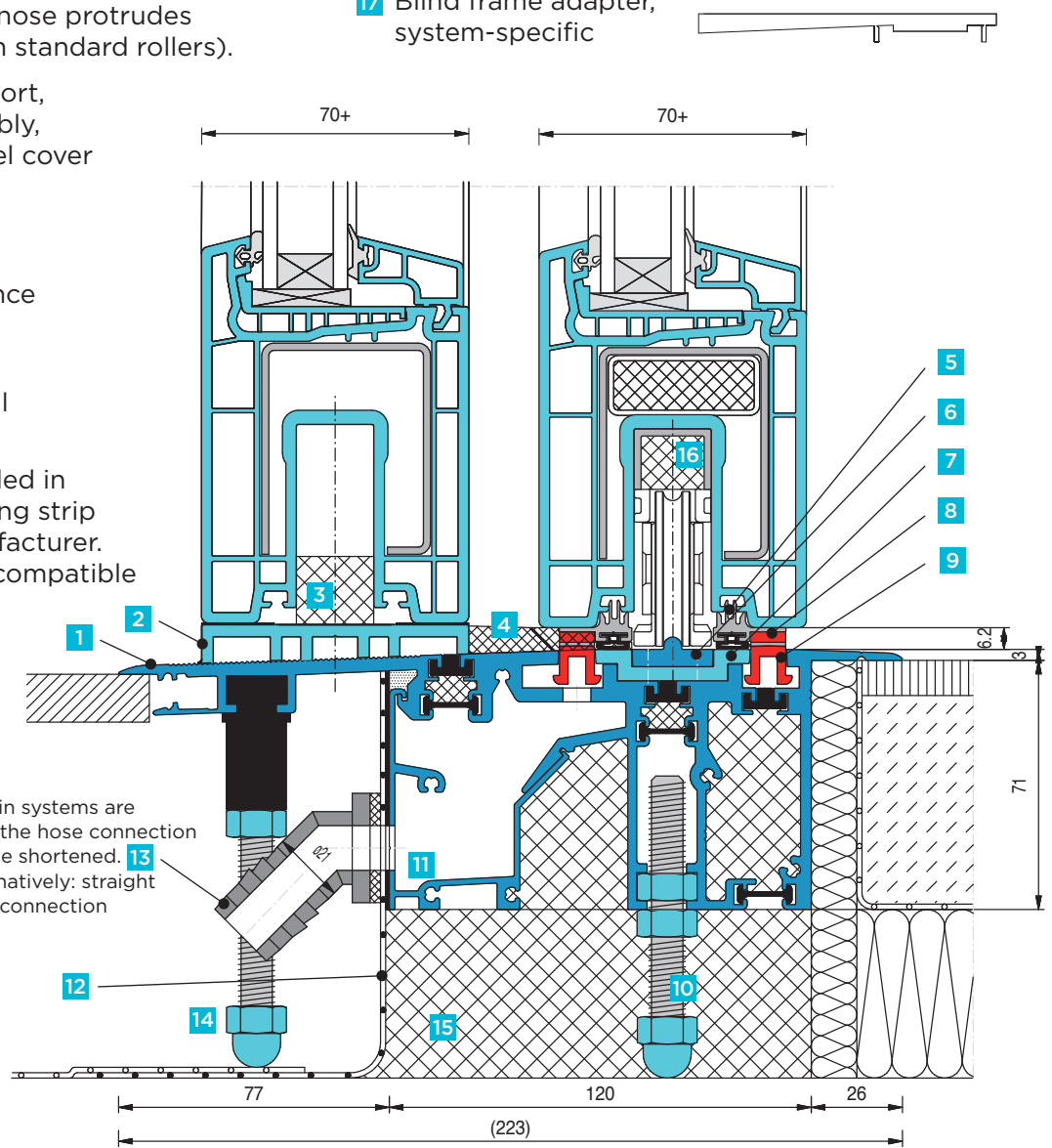
Note:
Due to the constructive requirements for barrier-free threshold designs for lifting/sliding doors, in individual cases, dew formation may occur due to thermal reasons in the threshold area.

Lifting/sliding door threshold for new buildings with drain

Calculation by stock lengths:
3,000 / 3,500 / 4,000 / 4,500 /
5,000 / 5,500 / 6,000 / 6,500 mm
Cutting to fix sizes

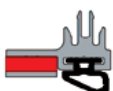
- 1** Lifting/sliding door threshold for new buildings with drain, thermally broken (3-fold) with thermal insulation EV1 anodized
- 2** Plastic adaptor for fixed part, white or brown (width 70 mm)
- 3** Supporting device, system-dependent (not included in delivery)
- 4** Two-piece sealing cushion (for fitting)
- 5** Aluminum magnet and sealing holder, system-dependent, non-slip adhesion to the EPDM sealing
- 6** Aluminum roller guide (nose protrudes at the top (3.5 mm) with standard rollers).
- 7** Plastic roller guide support, small for magnet assembly, large for magnet channel cover
- 8** Upper magnet
- 9** Lower magnet
- 10** Height-adjustable distance screws M10 with plastic adjusting and lock nut.
- 11** Water reservoir with drill holes for water drain
- 12** Extra charge (not included in standard delivery), sealing strip welded-on by the manufacturer. Connection is bitumen-compatible or identical with the sealing material with regard to the material.

- 13** Depending on rail size three to four water drain nozzles for hose connection by the customer adding self-cutting tapping screws 3.9 x 19 mm also available with straight hose connection.
- 14** Distance screw with plastic guide bushing
- 15** Thermal insulation (two-piece) for threshold support to the unfinished floor
- 16** Plastic roller support 21 x 17 mm
1 unit 230 mm and 1 unit 120 mm
- 17** Blind frame adapter, system-specific



alternatively Model MHST 20/1 with straight drain nozzle

Aluminum magnet and sealing holder



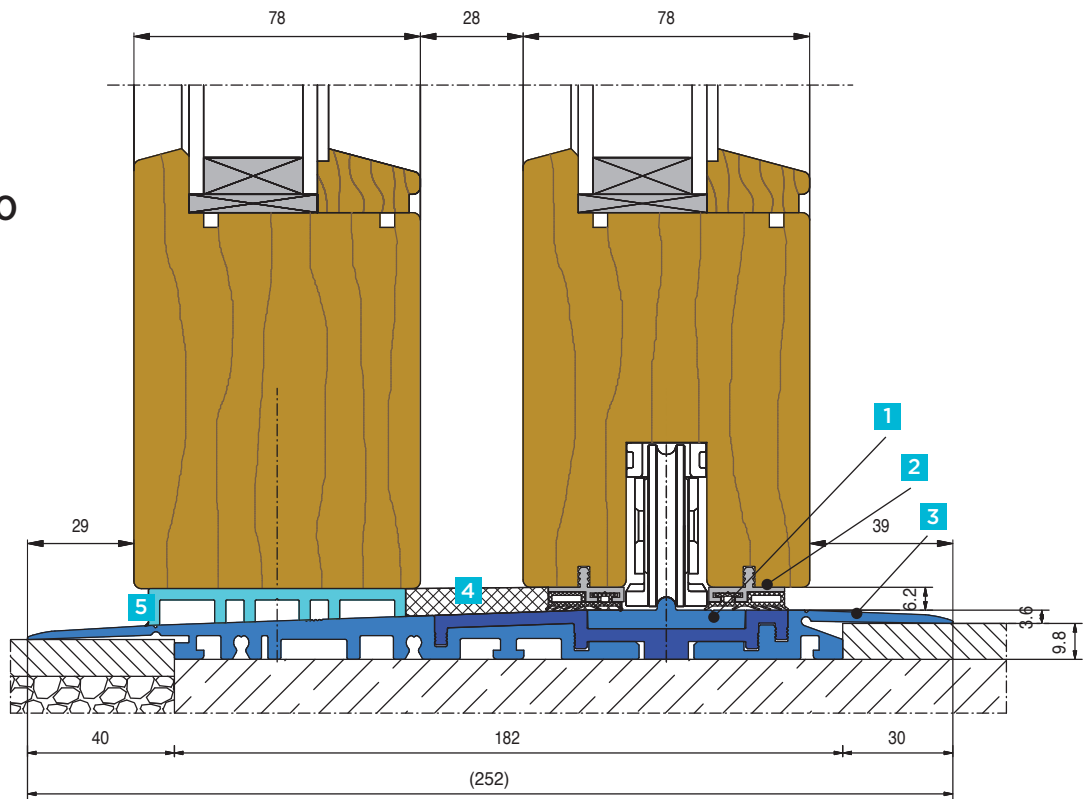
System dependent: Salamander (ID) / Gealan (S 8000 IQ and S 9000) / Profine (PremiDoor 70) / Profine (PremiDoor 88) / Inoutic (HST 76) / Schüco (ThermoSlide SI 82) / Aluplast (70 und 85) / Rehau (brilliant-Design) / Rehau (Geneo) / Veka (Vekaslide 70 u. 82) / Schüco (Corona CT 70 HS)

- 1** Aluminum rail EV1 anodized with stainless steel screws
- 2** Aluminum sealing holder with EPDM sealing, non-slip adhesion to the EPDM sealing
- 3** Aluminum flat threshold with thermal break, EV1 anodized, with UV-resistant foil cover
- 4** EPDM sealing cushion
- 5** Plastic adaptor for fixed part, white or brown (width 70 mm)

Calculation by stock lengths:
3,000 / 3,500 / 4,000 / 4,500 /
5,000 / 5,500 / 6,000 / 6,500 mm
Cutting to fix sizes

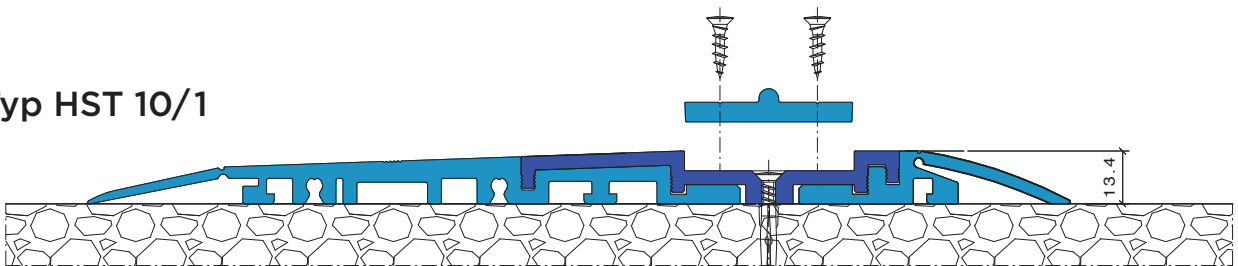
- 6** Two plastic profiles for masonry sealing
- 7** Two plastic threshold links left/right with sealing. Standard size: 173 x 56 mm
Special dimansions are possible on request

Typ HST 10

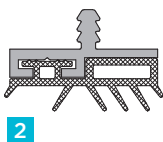


Mounted on the unfinished floor. Lugs cover the flooring on both sides and can be adapted to the respective flooring.

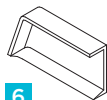
Typ HST 10/1



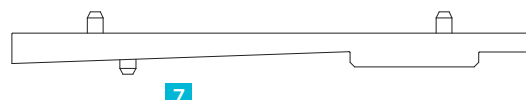
If mounted on continuous flooring (tiles, marble etc.) the two-sided lugs have already been adapted to the flooring. Covered plug fixing below the screw-on roller guide.



2



6

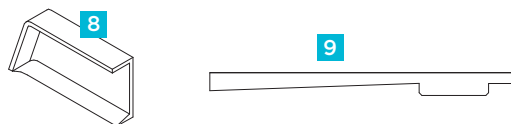


7

- 1** Plastic roller support 21 x 17 mm
1 unit 230 mm / 1 unit 120 mm
- 2** Aluminum rail EV1 anodized with stainless steel screws
- 3** Aluminum sealing holder, system-dependent, non-slip adhesion to the EPDM sealing
- 4** Aluminum flat threshold with thermal break, EV1 anodized, with UV-resistant foil cover
- 5** EPDM sealing cushion
- 6** Plastic adaptor for fixed part, white (width 70 mm)
- 7** Supporting device, system-dependent (not included in delivery)

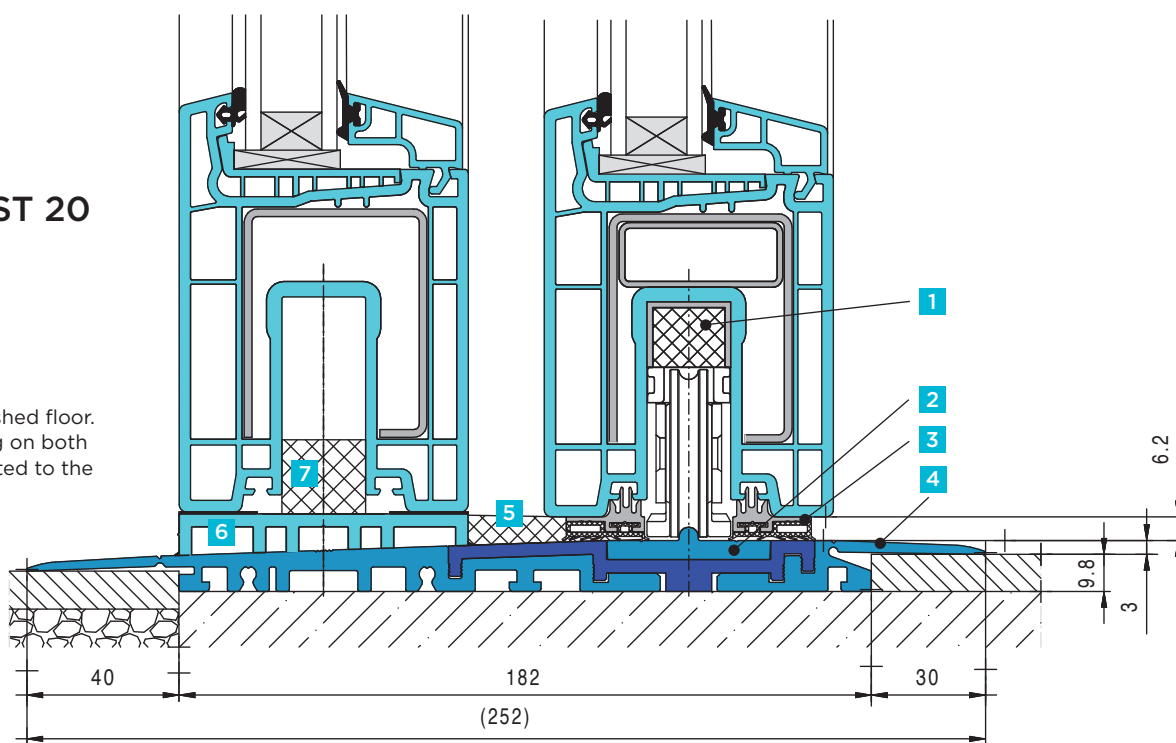
Calculation by stock lengths:
3,000 / 3,500 / 4,000 / 4,500 /
5,000 / 5,500 / 6,000 / 6,500 mm
Cutting to fix sizes

- 8** Two plastic profiles for masonry sealing
- 9** Blind frame adapter, system-specific

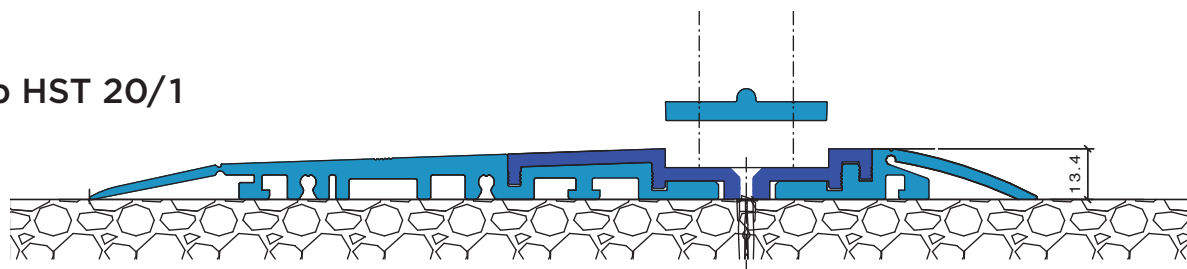


Typ HST 20

Mounted on the unfinished floor. Lugs cover the flooring on both sides and can be adapted to the respective flooring.



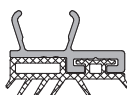
Typ HST 20/1



If mounted on continuous flooring (tiles, marble etc.) the two-sided lugs have already been adapted to the flooring. Covered plug fixing below the screw-on roller guide.

Note:
Due to the constructive requirements for barrier-free threshold designs for lifting/sliding doors, in individual cases, dew formation may occur due to thermal reasons in the threshold area.

Aluminum sealing holder with EPDM sealing

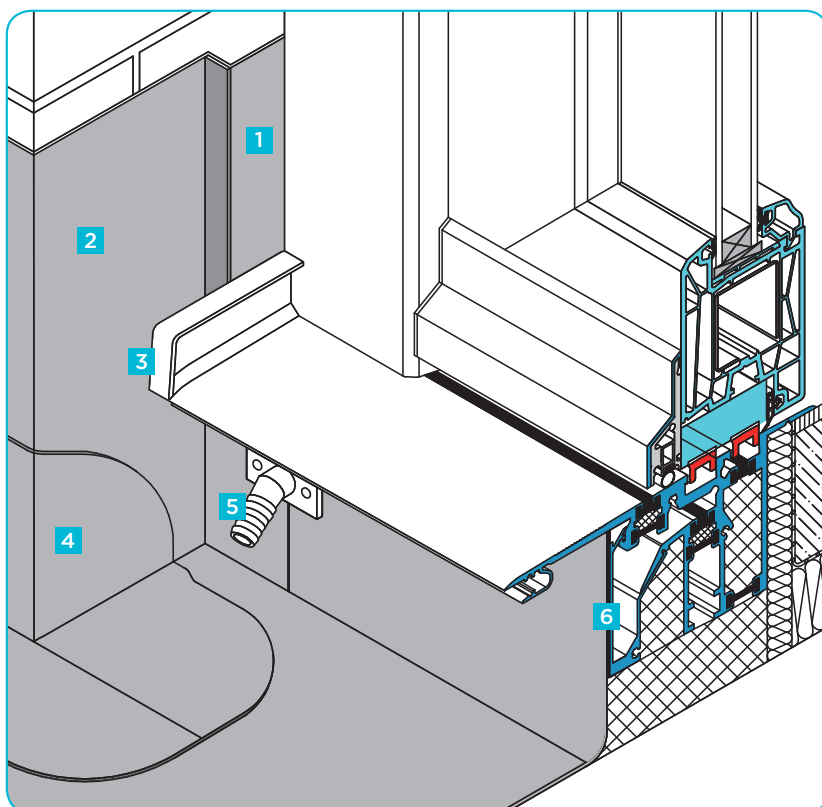
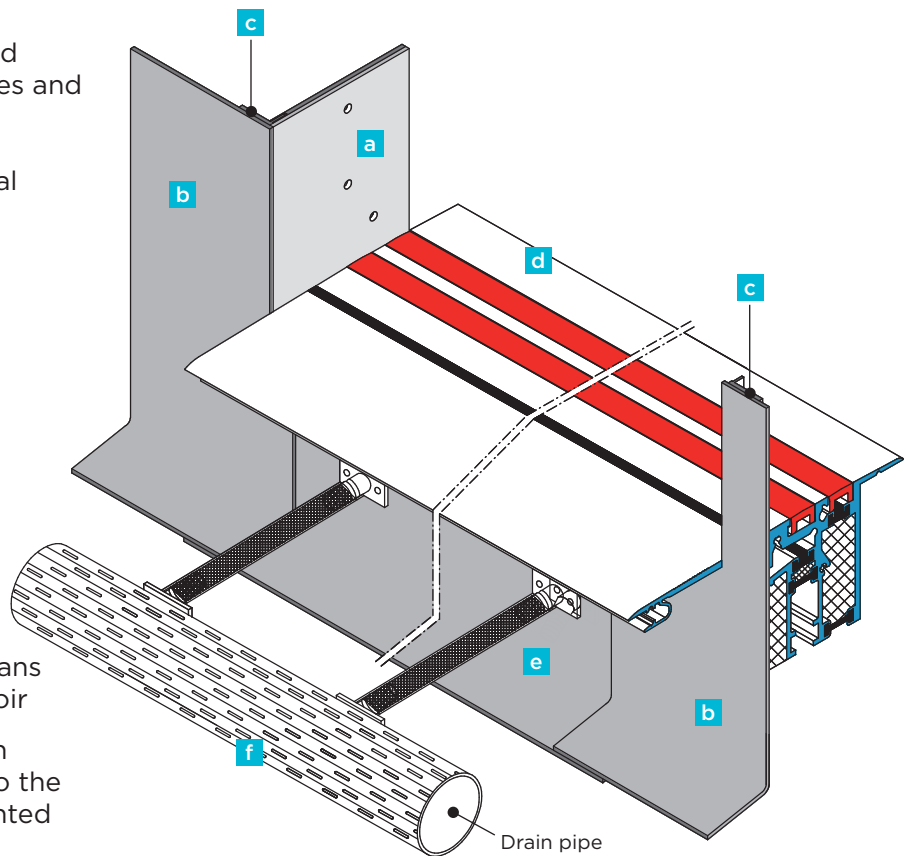


System dependent: Salamander (ID) / Gealan (S 8000 IQ and S 9000) / Profine (PremiDoor 70) / Profine (PremiDoor 88) / Inoutic (HST 76) / Schüco (ThermoSlide SI 82) / Aluplast (70 und 85) / Rehau (brilliant-Design) / Rehau (Geneo) / Veka (Vekaslide 70 u. 82) / Schüco (Corona CT 70 HS)

Threshold sealing by the manufacturer and processing considering Flat Roof Guidelines and DIN 18195 Section 5 Paragraph 8.1.5

Terrace sealing at the magnetic double seal pre-assembled by the manufacturer with planned sealing (150 mm) to the masonry (available against surcharge).

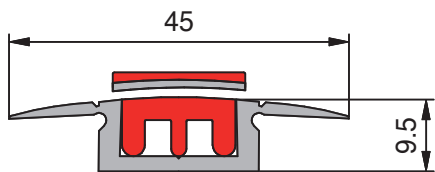
- a** Plastic assembly and sealing plates pre-drilled and slit
- b** Sealing strips, welded on with composite sheets (corner angle **c**) by the manufacturer. Standard WOLFIN; option EVALON.
- d** Aluminum floor profile
- e** Sealing sheet, fixed (watertight) by means of composite sheet at the water reservoir
- f** Water drain hoses with one-meter drain pipe in the gravel bed or integrated into the drain system. Double design for lap-jointed doors (available against surcharge).



- 1** Composite sheet (corner angle) welded to sealing sheet by the manufacturer
- 2** Sealing strip, $d=1.5$ mm, sheet width approx. 550 mm, standard WOLFIN, option EVALON
- 3** Plastic wall sealing
- 4** The external corners supplied by the manufacturer are welded into by the sealing manufacturer, the internal corners are to be made in an expert and proper manner
- 5** Water drain opening with hose connection. Discharge by the customer with the plastic hose, optionally, into a gutter, drain system, in the roof gutter, in a waterspout or in the gravel bed via the ALUMAT drain pipe **f**.
- 6** Composite sheet, fixed (watertight) at the water reservoir and welded on to the sealing strip by the manufacturer

As the connection heights do not comply with the regulations regarding barrier-free construction, it should be agreed upon by the buyer separately and in writing. The notes provided in DIN 18195 Section 5 Paragraph 8.1.5. as well as the German Flat Roof Guidelines are to be considered. The local conditions are to be considered.

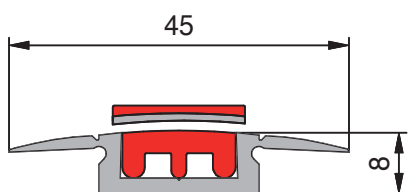
Universal profiles



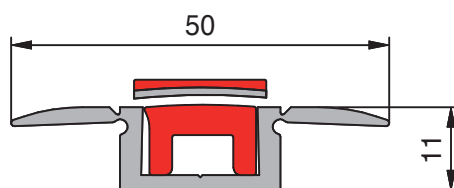
Model MTK 2

Aluminum profile available in surface design:

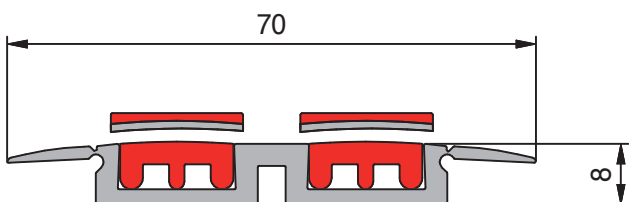
- silver anodized
- gold
- bronze



Model MTK 3



Model MTK 6

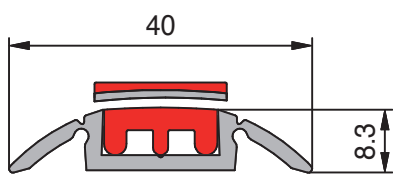


Model MTK 32

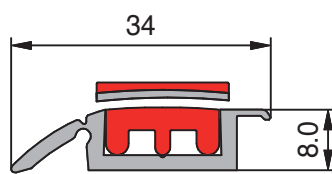
Aluminum profile available in surface design:

- silver anodized
- bronze

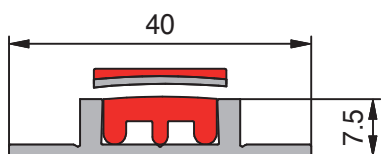
Standard profile



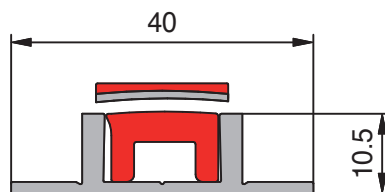
Model MA 1



Model MA 2



Model MF 1



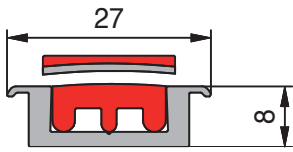
Model MF 2

Aluminum profile available in surface design:

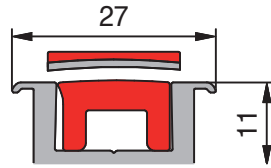
- silver anodized
- bronze

Every fixed length up to 6,000 mm available

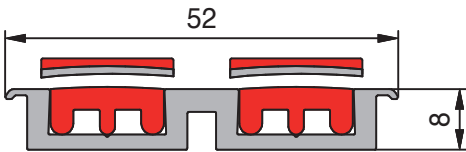
Special profiles



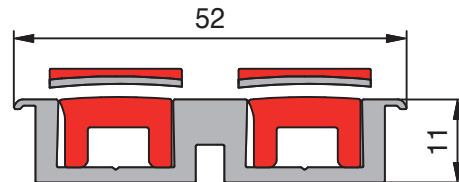
Model MFS 1



Model MFS 10



Model MFS 2



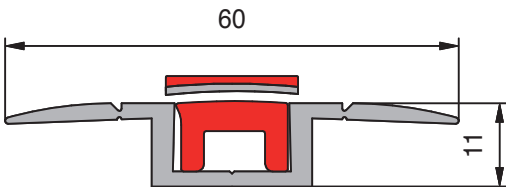
Model MFS 20
(only silver anodized)

Aluminum profile available
in surface design:
■ silver anodized
■ bronze

MAGNETIC DOOR SEAL WITH SCREED SEPARATION RAIL MODEL TSE

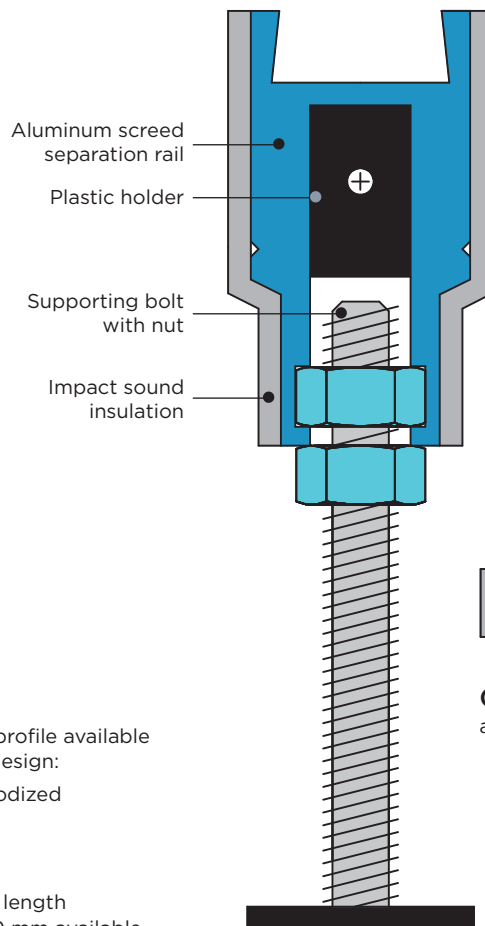
for steel frames with and without floor recess

SCHALL-STOP/PLUS Model MTK 6S



Screed separation rail Model TSE

for doors with single rabbet, double rabbet as well as flush-edge doors.

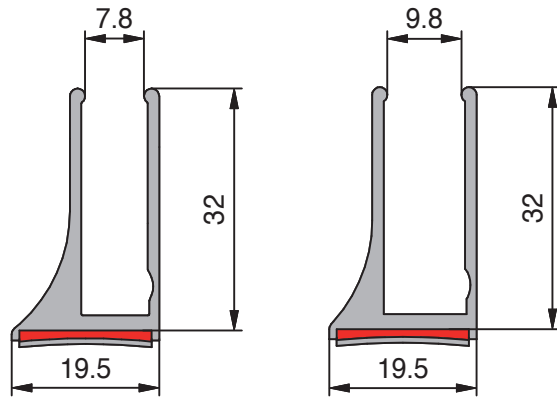


Aluminum profile available
in surface design:

■ silver anodized
■ bronze

Every fixed length
up to 6,000 mm available

Special add-on profiles for glazed doors



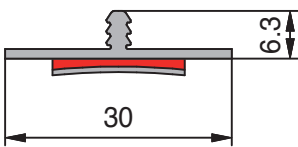
Model GT 8

Model GT 10

Aluminum profile available in surface design:

silver anodized		
bronze		
stainless steel look anodized		

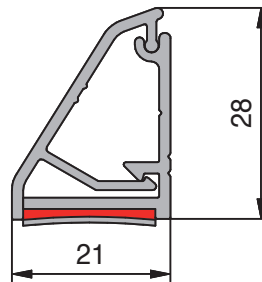
Only in connection with magnet floor profile



Model OMT

Aluminum profile available in surface design:

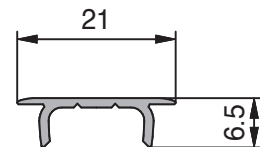
- blank



Model MHT weatherboard

Aluminum profile available in surface design:

-  silver anodized
- white RAL 9016
-  bronze



Model PA cover profile against construction soiling

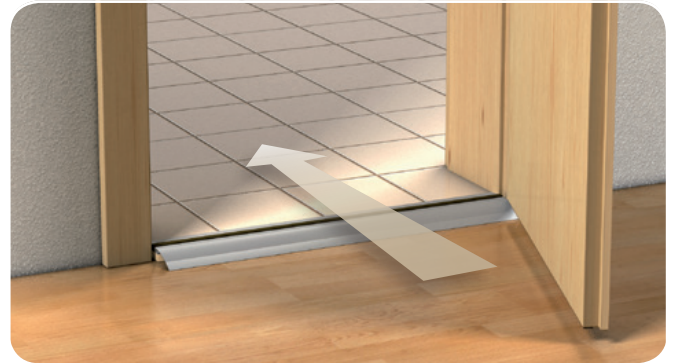
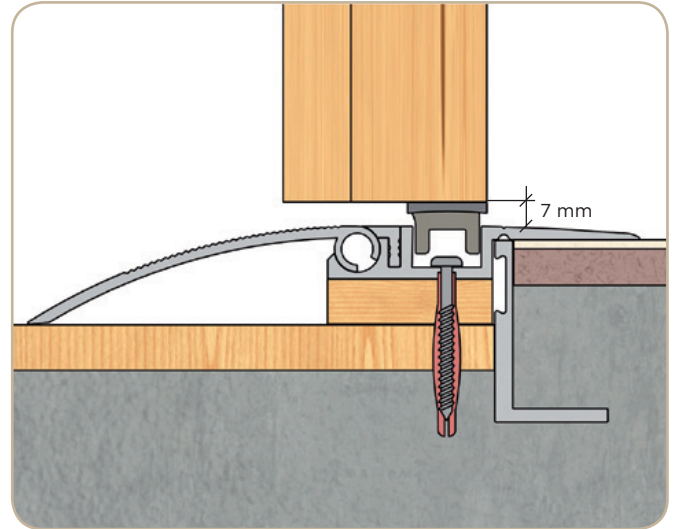
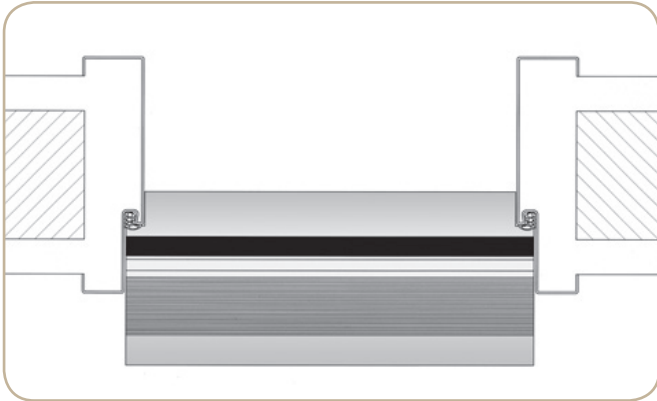
Aluminum profile available in surface design:

- blank

Every fixed length up to 6,000 mm available

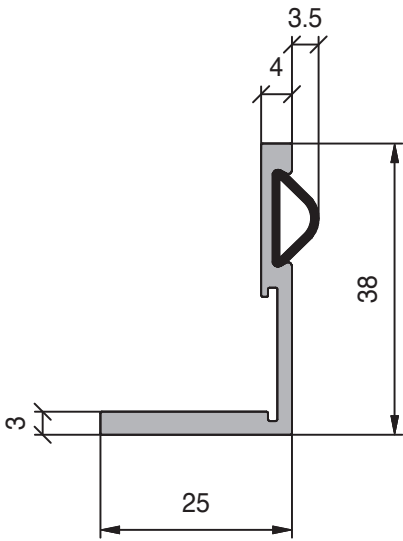
INTERNAL MAGNET RENOVATION THRESHOLD MGS

- Material: Aluminum
- Dimensions: W 135 x H 11.5 mm
- Lengths: up to 6,000 mm (every fixed length available)
- Sealing: Permanent magnets · Lower magnet 15 x 9 mm
Upper magnet 17 x 3 mm
- Height adjustment: up to 35 mm through variable jointed threshold
- Assembly: in the door frame rabbet with two-sided disengagement

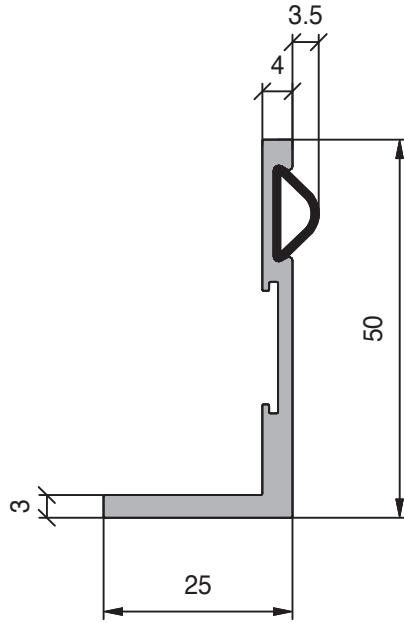


Barrier-free thanks to renovation profile MGS

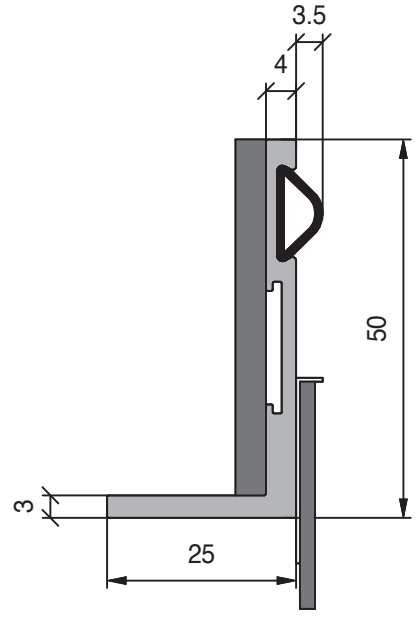
For wood and steel frames



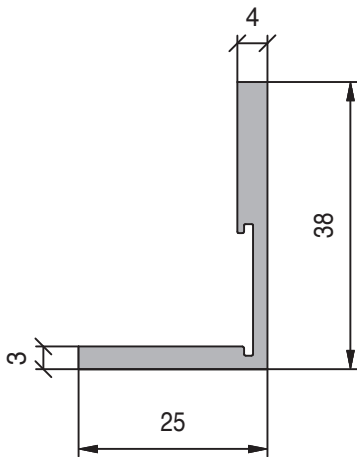
Model ST I
for steel frames



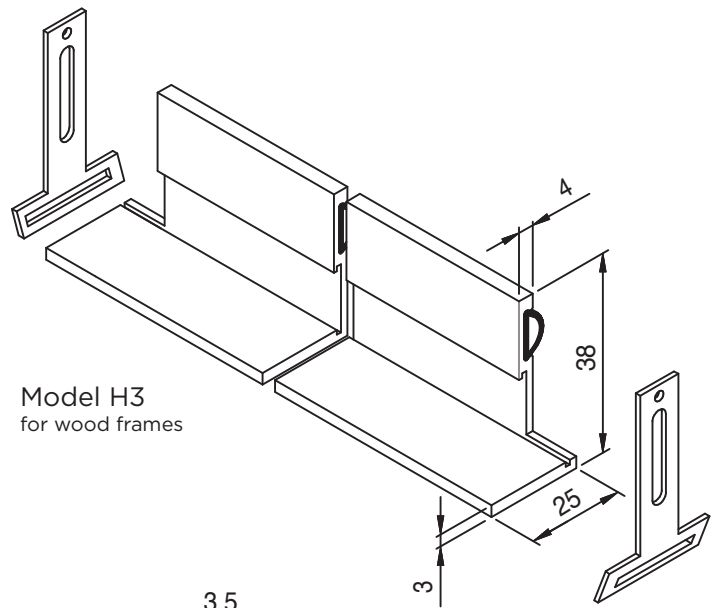
Model ST I
for steel frames



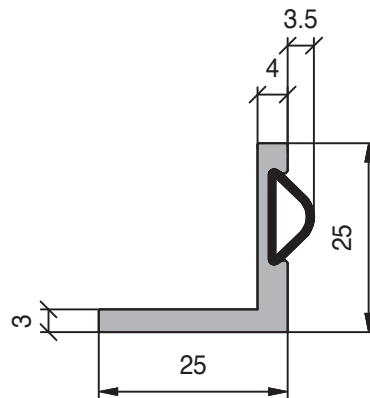
Model ST I / WAT I
for steel frames



Model ST II
for steel frames



Model H3
for wood frames

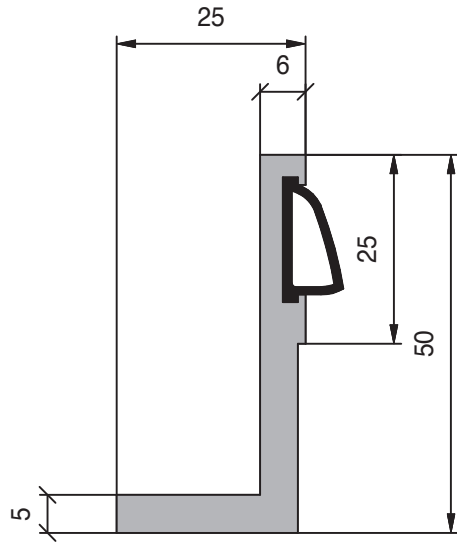


Model H4
for wood frames

Aluminum profile available
in surface design:
 blank

Every fixed length
up to 5,000 mm available

Wood entry door threshold rails
with EPDM sealing



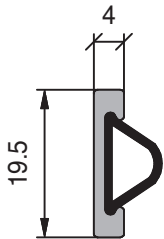
Model HT 1

Aluminum profile available in surface design:

blank

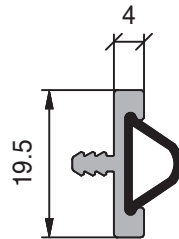
Every fixed length up to 6,000 mm available

Aluminum sealing holder



Model H/ST
with silicone seal

Every fixed length up to 6,000 mm available



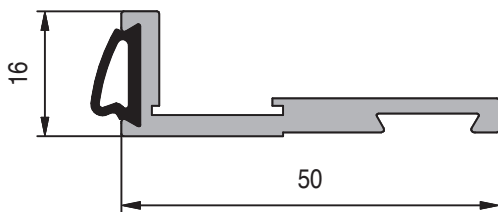
Model ZH/ST
with silicone seal

Aluminum profile available in surface design:

blank

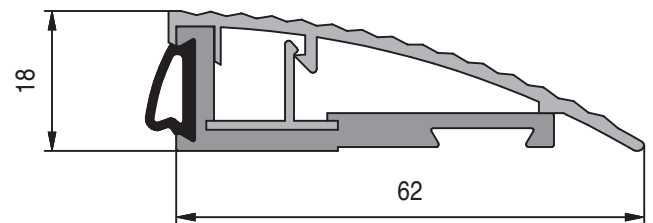
Every fixed length up to 5,500 mm available

Combination sealing rails
with EPDM sealing



Model KS
with silicone seal

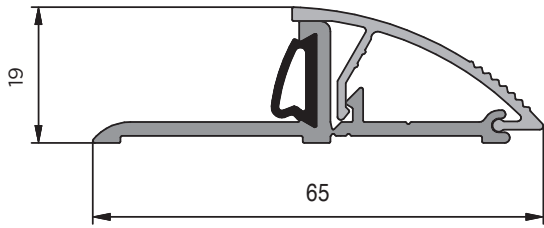
Every fixed length up to 6,000 mm available



Model AKS
Every fixed length up to 6,000 mm available

Aluminum profile available in surface design:

blank

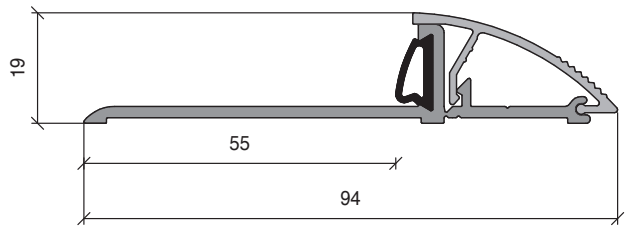


Model AKL

Aluminum profile available in surface design:

- silver anodized
- bronze

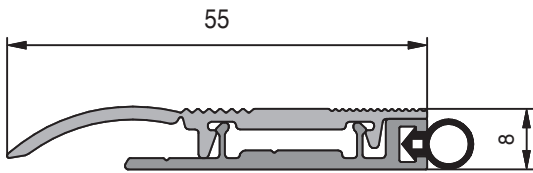
Every fixed length up to 5,000 mm available



Model AKL plus

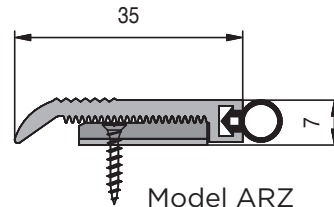
Aluminum profile available in surface design:

- silver anodized



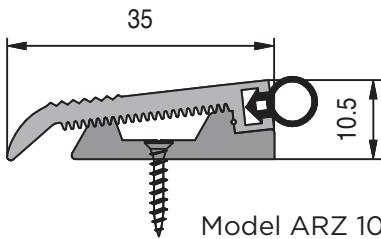
Model BM 30

Every fixed length up to 5,000 mm available

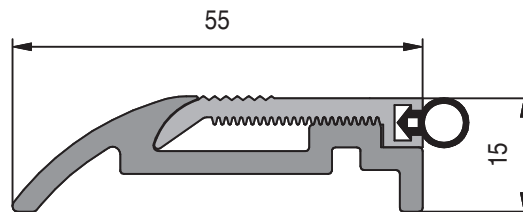


Model ARZ

Every fixed length up to 6,000 mm available



Model ARZ 10



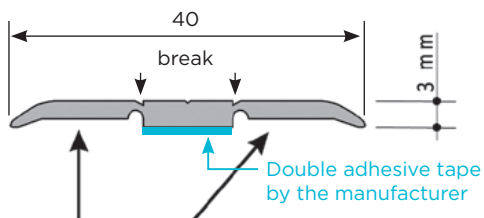
Model ARZ PLUS

Alu-Profil lieferbar in Oberflächen-Ausführung:

- silver eloxiert
- gold
- bronze

Every fixed length up to 6,000 mm available

FLOOR FLAT THRESHOLD MODEL S I

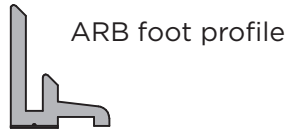
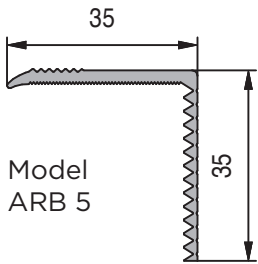
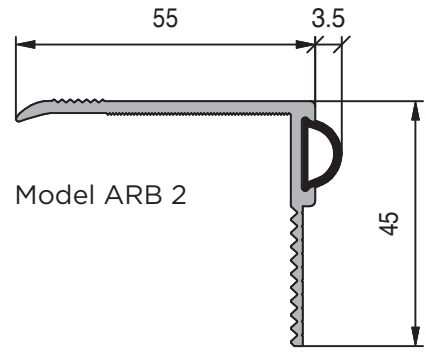
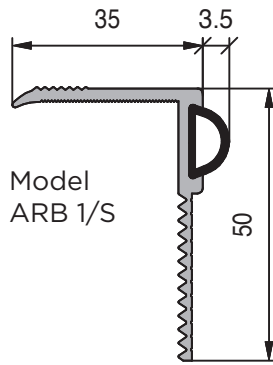
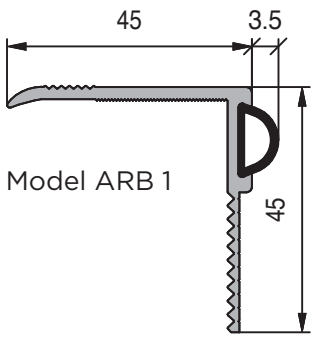


Construction adhesive, if required, in combination with hot-melt adhesive (plug for carpeted floor)

Aluminum profile available in surface design:

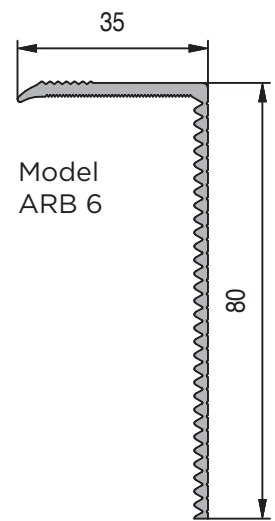
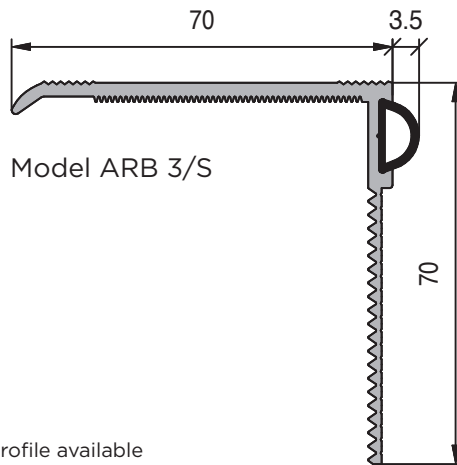
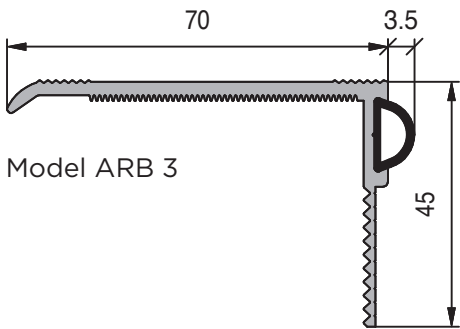
- silver anodized
- gold
- bronze

Every fixed length up to 6,000 mm available



Aluminum profile available in surface design:

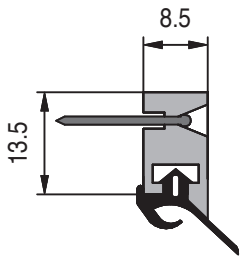
- silver anodized
- gold
- bronze



Every fixed length up to 6,000 mm available

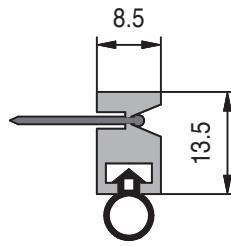
Aluminum profile available in surface design:

- silver anodized



Model ASD
Window sealing made of plastic with silicone lip seal

Length: 2,100 mm

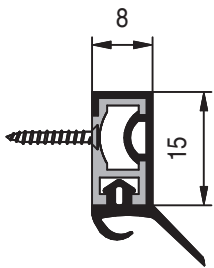


Model ASD
Window sealing made of plastic with silicone tubular sealing

Length: 2,100 mm

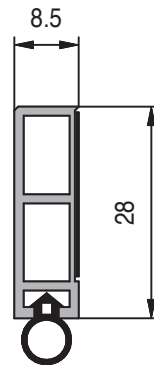
Aluminum profile available in surface design:

- white
- dark brown



Model SWD
Window sealing (aluminum with silicone cover and lip seal)

Length: 2,000 mm



Model ARD
Surrounding sealing made of plastic with silicon tubular sealing

Length: 2,100 mm

Aluminum profile available in surface design:

- white
- beige
- dark brown

ORDER INFORMATION FOR ORDER PROCESSING MFAT 20 (NEW BUILDING)

for plastic external doors for aluminum external doors please mark the appropriate box

	Quantity	Element width	Floor construction
1. 71 mm floor recess:			
MFAT 20 (curved water drain)
MFAT 20/1 (straight water drain)
for outwardly opening doors from 76 mm construction depth			
MFAT 20/4 (curved water drain)
MFAT 20/5 (straight water drain)
40 mm floor recess:			
MFAT 20/2 (curved water drain)
MFAT 20/3 (straight water drain)

2. single-leaf lap-jointed (sketch requested) with fixed-glazed side part

3. Profile designation: recessed half-recessed

4. opening inwards opening outwards

Note: Threshold must cover entire element width!

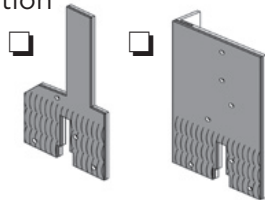
5. Length weatherboard (rough meas.): mm

6. Color white bronze
Weatherboard: EV 1 blank

7. Plastic adaptor for fixed glazing: white brown

8. Post link: Quantity:

9. Plastic fastening plate with sealing connection of the door frame and the magnetic seal (2 options for selection).



Item 10-13 available against surcharge:

10. Terrace sealing: WOLFIN alternatively EVALON

11. Aluminum gutter frame EV1 incl. grating hot-dip galvanized
grating stainless steel Length: Construction depth: 120 mm 170 mm

12. Aluminum bridging profile EV1 requested depth: (85 up to 200 mm) Length:

13. PVC water drain hoses with drain pipe

14. Building project:

15. Architect:

16. Profile manufacturer:

17. Universal blind frame adapter 2-part
Alternatively: Milling cutter for blind frame processing
 Mandrel dimension:

18. Requested delivery date in week:

Ordering party's stamp:

Ansicht von innen mit Maßangabe
erforderlich bei Stulptüren und Festverglasung

Please return filled-in form to:
ALUMAT Frey GmbH
Im Hart 10 · 87600 Kaufbeuren
Germany
Tel.: +49(0)8341/4725
Fax: +49(0)8341/74219
E-Mail: info@alumat.de

ORDER INFORMATION FOR ORDER PROCESSING MFZ 10 (RENOVATION)
for wood or wood/aluminum external doors

	Quantity	Element width
1. MFZ 10/1 (level approx. 1 cm higher inside)
MFZ 10/2 (level the same inside and outside)
MFZ 10/3 (1-3 cm deeper inside)

2. single-leaf lap-jointed with fixed-glazed side part post latch
 (Sketch requested)

3. Construction depth 68 mm other

4. opening inwards opening outwards

Note: Threshold must cover entire element width!

5. Length weatherboard (rough meas.): mm

6. Color white
 Weatherboard: EV 1
 bronze
 blank

7. Plastic adaptor for door frame or fixed glazing:
 white brown

Additional profiles for lower-lying external flooring (available against surcharge):

8. Type RA Quantity:
 Length:

9. Aluminum bridging profile including additional old building profile EV1 incl. supporting bolts (variable depth up to 220 mm)

Depth: Length:

10. Aluminum gutter frame EV1 incl. grating hot-dip galvanized and coupling profile to the threshold
 alternatively, incl. grating stainless steel Length:
 Construction depth 120 mm Construction depth 170 mm

11. Building project:

12. Architect:

13. Requested delivery date in week:

Ordering party's stamp:

View from inside with measurement specification
 required for lap-jointed doors and fixed glazing

Please return filled-in form to:
 ALUMAT Frey GmbH
 Im Hart 10 · 87600 Kaufbeuren
 Germany
 Tel.: +49(0)8341/4725
 Fax: +49(0)8341/74219
 E-Mail: info@alumat.de

ORDER INFORMATION FOR ORDER PROCESSING MFZ 20 (RENOVATION)for plastic external doors for aluminum external doors please mark the appropriate box

- | | Quantity | Element width |
|--|----------|---------------|
| 1. MFZ 20/1 (level approx. 1 cm higher inside) | | |
| MFZ 20/2 (level the same inside and outside) | | |
| MFZ 20/3 (1-3 cm deeper inside) | | |
2. single-leaf lap-jointed with fixed-glazed side part post latch
(Sketch requested)
3. Profile designation: recessed half-recessed
4. opening inwards opening outwards

Note: Threshold must cover entire element width!

5. Length weatherboard (rough meas.): mm
6. Color white bronze
Weatherboard: EV 1 blank
7. Post link: Quantity:
8. Plastic adaptor
for fixed glazing: white brown

Additional profiles for lower-lying external flooring (available against surcharge):

9. Type RA Quantity:
Length:
10. Aluminum bridging profile including additional old building profile EV1 incl. supporting bolts (variable depth up to 220 mm)
Depth: Length:
11. Aluminum gutter frame EV1 incl. grating hot-dip galvanized and coupling profile to the threshold
 alternatively, incl. grating stainless steel Length:
Construction depth 120 mm Construction depth 170 mm
12. Building project:
13. Architect:
14. Universal blind frame adapter 2-part
Alternatively: Milling cutter for blind frame processing
 Mandrel dimension:
15. Requested delivery date in week:

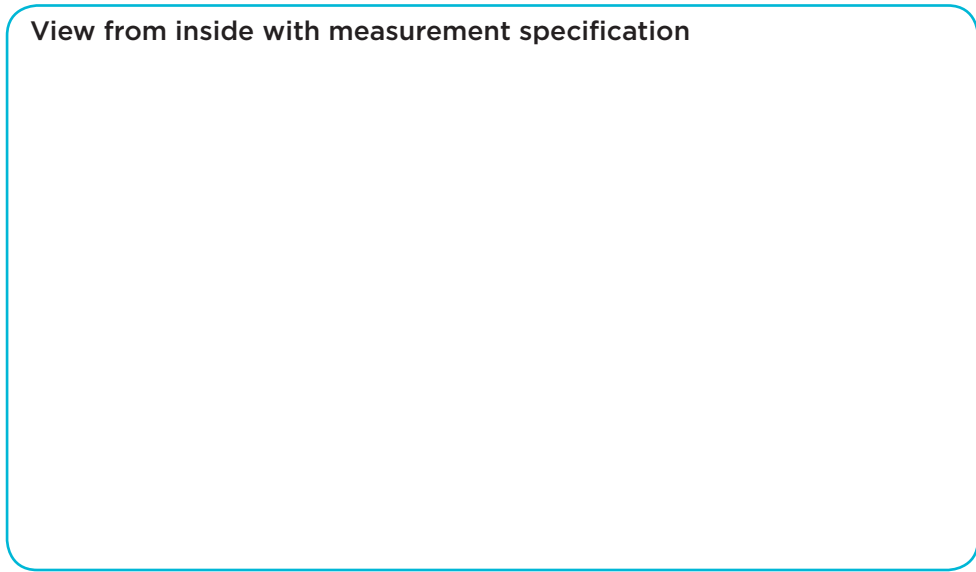
Ordering party's stamp:

View from inside with measurement specification
required for lap-jointed doors or fixed glazing

Please return filled-in form to:
ALUMAT Frey GmbH
Im Hart 10 · 87600 Kaufbeuren
Germany
Tel.: +49(0)8341/4725
Fax: +49(0)8341/74219
E-Mail: info@alumat.de

ORDER INFORMATION FOR ORDER PROCESSING MHST 10 (NEW BUILDING)
for lifting/sliding wood doors

	Quantity	Cut to blind frame outer dimension	Ground structure cm
1. MHST 10 EV1 (with curved water drain) (Calculation per stock lengths: 3.000/3.500/4.000/ 4.500/5.000/5.500/6.000/6.500 mm)
MHST 10/1 EV1 (with straight water drain)



- 2. Blind frame construction depth: 173 x 56 mm Other:
- 3. Lateral frame extension Dimensions:
- 4. Plastic adaptor for fixed part white brown

Items 5-8 available against surcharge:

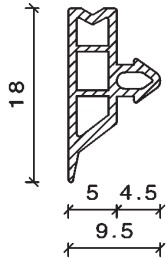
- 5. Terrace sealing: WOLFEN alternatively, EVALON
- 6. Aluminum gutter frame EV1 incl. grating hot-dip galvanized
 grating stainless steel Length:
 Construction depth 120 mm Construction depth 170 mm
- 7. Aluminum bridging profile EV1 requested depth: (85 up to 200 mm)
 Length:
- 8. Additional accessory package Quantity:
 (if 2 elements are made from 1 stock length)
- 9. Building project:
- 10. Architect:
- 11. Requested delivery date in week:

Ordering party's stamp:

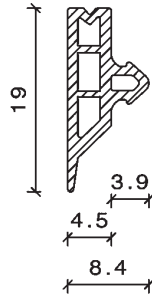
Please return filled-in form to:
 ALUMAT Frey GmbH
 Im Hart 10 · 87600 Kaufbeuren
 Germany
 Tel.: +49(0)8341/4725
 Fax: +49(0)8341/74219
 E-Mail: info@alumat.de

SYSTEM-DEPENDENT TPE-SEALS FOR SASH REBATE: MODELS MFAT 20 AND MFZ 20

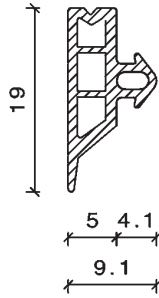
Weru
Rehau
Brüggmann
Salamander



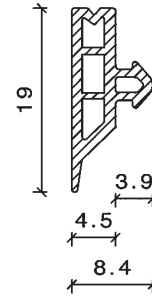
Gealan



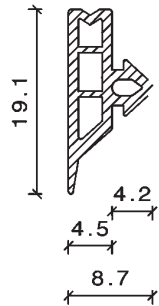
Schüco
(PVC)



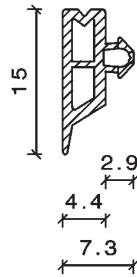
Profine
Kömmerling
Trocal
KBE



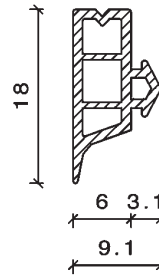
VEKA
Aluplast



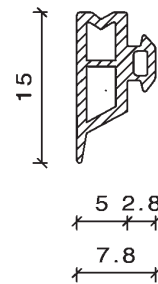
Inoutic



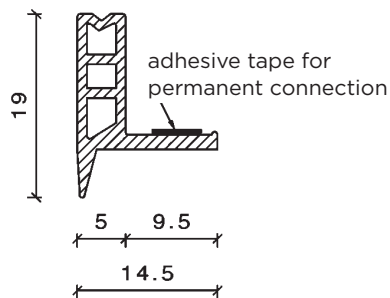
TKI
Hueck
Aluprof



Schüco Alu
Wicona



Other models



Thresholds are not required anymore

ALUMAT stands for reliable sealing of door passages without threshold and thus sets standards for human beings and buildings. The family-run company ALUMAT with its headquarters in Kaufbeuren as market leader for „zero threshold seals“ has proven for more than 15 years that comfortable use, excelling esthetics and security regarding undesired ingress of water do not mutually exclude themselves even for external doors.

Company history

The future-oriented inventions by company founder Harry Frey have an authentic development background. He had a leg injury which led to his stumbling and falling over a threshold. This negative experience caused him to find a solution for the threshold problem. In 1980, Frey – together with his wife – founded the company specializing in sealing for windows and doors. As early as 1988, his first magnetic door seal for barrier-free passage of internal doors could be launched on the market. After this success, Harry Frey took on the development of a sealing solution for barrier-free passage of external doors, a difficult field of engineering regulated by complex building laws. He reached the ambitious goal after only nine years with his magnetic double seal providing absolute security regarding water, air and noise consisting of two

magnet profiles and two additional seals. Since 1989, ALUMAT-Frey GmbH has had positive experience and diversified fields of use with completely different types of buildings both new and renovated with the innovative product. As the inventor of the magnetic double seal, Frey is the patent owner and thus the only supplier of this prefabricated, barrier-free door seal.

Bang on trend – Comfort for everyone and stumbling prevention

With his sophisticated product development, ingenious technology and demanding design, he accomplished convenience for people having different abilities when passing doors by fourfold protection of the building regarding water, wind and cold. Suitable accessibility of internal and external rooms had only been made possible by the magnetic double seal for a considerable target group. For the 16.85 million elderly people over 65 years and the 7.3 million severely disabled people currently living in Germany, the barrier-free threshold constitutes vital health protection.



Collection out of aluminium

✓
PROVEN QUALITY
MADE IN GERMANY

DD_04.2015

