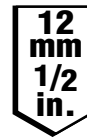


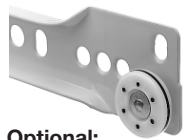
FR 1021 Regular-Extension Drawerslide



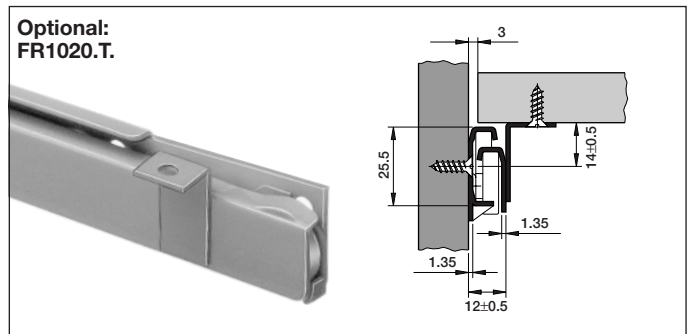
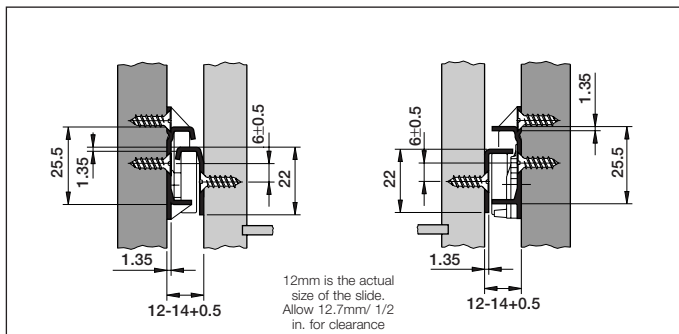
Patented side adjustment in 0 position



Patented side adjustment in 2 mm position



Optional:
with silent rollers FR1022



Material: Powder coated cold rolled steel

Bearing material: Cabinet profiles with nylon rollers
Drawer profiles with nylon rollers

Load capacity: Dynamic up to 100 lbs.

Colors: White, cream, black, brown

To order please specify item number.

Description	Length mm/in.	Ext. Loss	In-Stock Item Numbers	
			B:(bulk)	B:(bulk).T.
FR1020.	300/12	85mm	73009cr	
FR1020.	350/14	85mm	92088cr	
FR1020.	400/16	100mm	92089cr	
FR1020.	450/18	100mm	92097cr	
FR1020.	500/20	100mm	92090cr, 92081bl	80527bl, 80438br
FR1020.	550/22	120mm	80650cr	
FR1020.	600/24	120mm	92091cr	
FR1020.	650/26	120mm		
FR1020.	700/28	140mm		



Features

- ⇨ Excellent lateral stability thru a special formed captive profile
- ⇨ Patented side adjustment cam allowing up to 3mm side-to-side adjustment
- ⇨ High running qualities thru precision nylon rollers and smooth epoxy coating
- ⇨ Fully 32mm system compatible
- ⇨ Cabinet profile specially formed to prevent rollers from touching protruding screws
- ⇨ Cabinet profile suitable for frame and frameless mounting
- ⇨ Double hole system on cabinet profile for offset attachment to thin inside walls
- ⇨ Added strength of cabinet profile provided by special front flange
- ⇨ The dual detent in the drawer profile holds the drawer in place when extended
- ⇨ The specially designed backstop allows even heavily loaded drawers to close safely, protecting the drawerfront from being bumped

Packing: A: 20 pair per box, taped per pair.

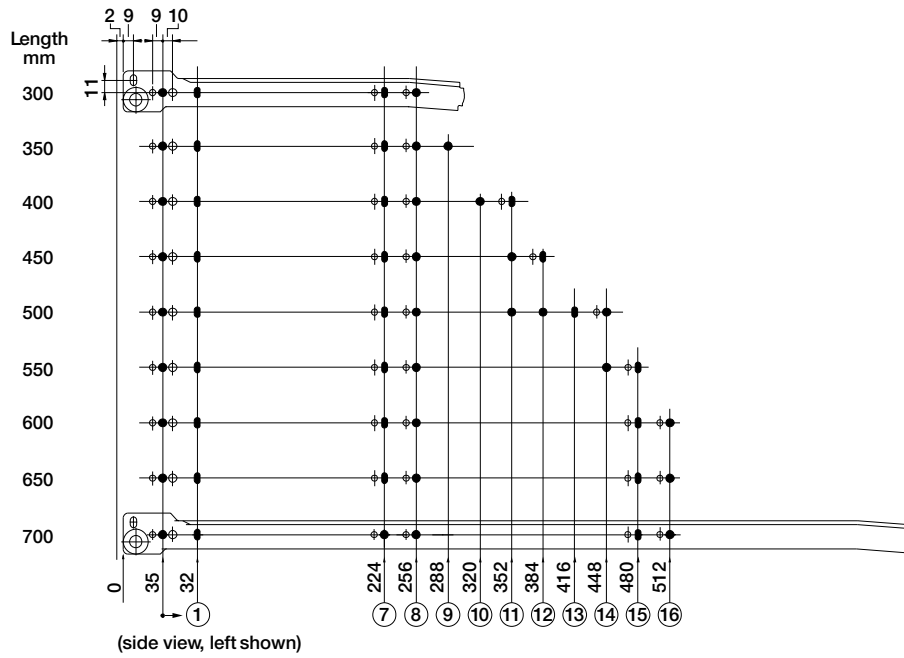
B: Bulk packed, 100 pcs. of each profile per box.

Other lengths and colors on request, minimum order 300 pairs.

Screws see spacers and screws.

Hole diagram for FR 1021

Cabinet Profile



Drawer Profile

