

FR 1052.CS.S

SLIDE TYPE:	Regular-Extension Drawer slide
MOUNTING:	Side Mount

WIDTH:	18 mm (0.71 in.)
LOAD CAPACITY:	dynamic up to 55 kg (125 lbs.)



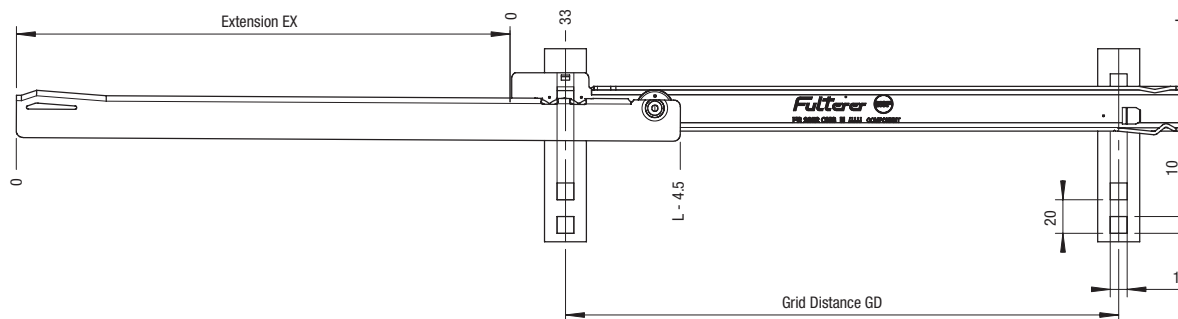
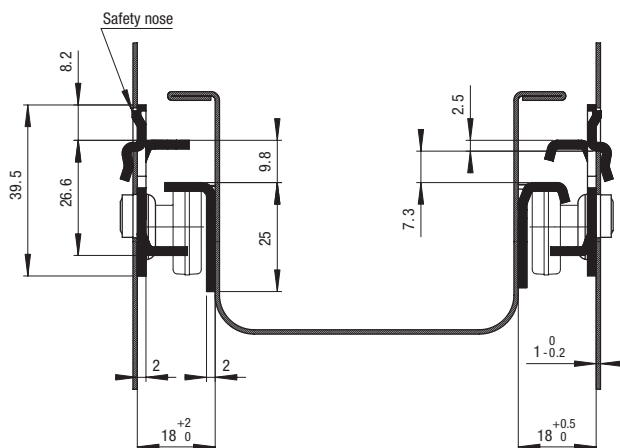
MATERIAL:	stainless steel
------------------	-----------------

FEATURES:	silent rollers
------------------	----------------

SPECIFICATIONS:
<ul style="list-style-type: none"> ▶ cabinet profile with bayonet mounting tabs and safety nose ▶ drawer profile without screw holes, welding only ▶ lateral stability provided by specially shaped profiles ▶ single-sided captive profile (right) ▶ rear backstop ▶ self-closing

NOTE:
<ul style="list-style-type: none"> ▶ compatible with full-extension drawer slide FR 790.CS.S

APPLICATION ADVANTAGES:
<ul style="list-style-type: none"> ▶ tool-less quick assembly of cabinet profile ▶ a common wall standard with 10 x 10 mm square perforation employed



Length L	EX		GD		Weight per pair	Order No.	
	mm	in	mm	in			kg
350	13.78	244	9.61	279.5	11.00	*	*
400	15.75	294	11.57	329.5	12.97	*	*
450	17.72	344	13.54	379.5	14.94	*	*
500	19.69	394	15.51	429.5	16.91	*	*
550	21.65	424	16.69	479.5	18.88	*	*
600	23.62	474	18.66	529.5	20.85	*	*
650	25.59	524	20.63	579.5	22.81	*	*
700	27.56	574	22.60	629.5	24.78	*	*
750	29.53	624	24.57	679.5	26.75	*	*

Packing Unit: on request

* on request