

FR 1600

PRODUCT TYPE: Keyboard Tray Pull-Out

LOAD CAPACITY: dynamic up to **34 kg (75 lbs.)**

MOUNTING: Top Mount

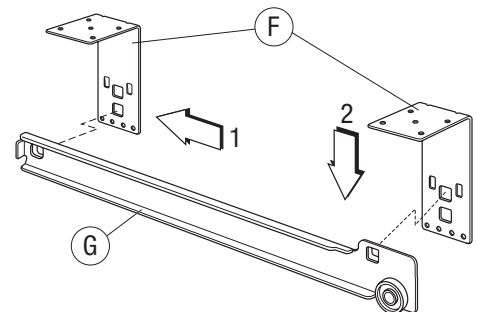
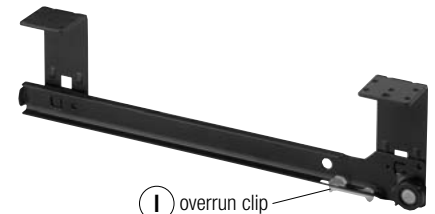
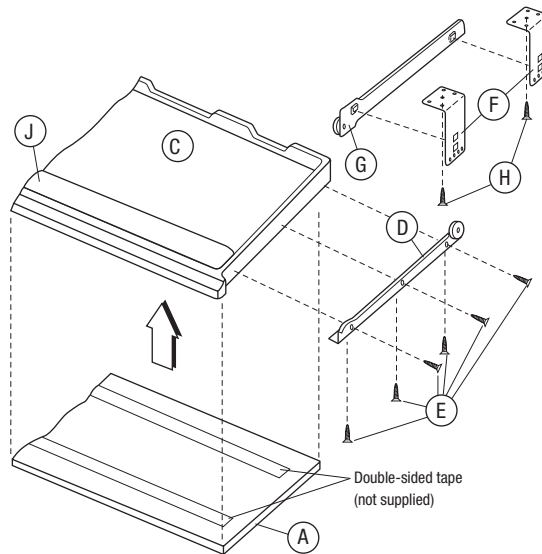
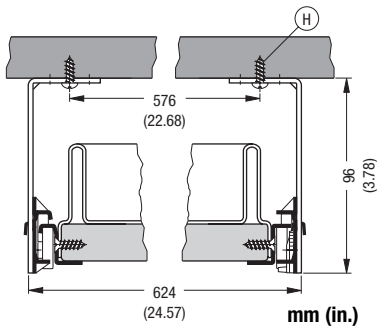


MATERIALS: drawer slide: powder coated cold rolled steel
tray: polystyrene, textured

FEATURES: nylon rollers

SPECIFICATIONS:

- ▶ keyboard tray pull-out can be used for all keyboard designs
- ▶ easy to add to existing furniture and work surfaces
- ▶ roller drawer slide with 6 pull-out stops
- ▶ very user-friendly
- ▶ screw-mount brackets permit installation under any work surface
- ▶ overrun clip incorporated into cabinet profile prevents pull-out from accidentally coming out
- ▶ slotted back for ease of cable management
- ▶ a very comfortable gel wrist support is included



Dimensions:	Width		x Depth		x Height			
	mm	in	mm	in	mm	in		
	624	24.57	x	380	14.96	x	96	3.78

Weight
kg lbs

Order No.
black

*

6000019

Packing Unit: 1 set per box consisting of: 1 piece keyboard tray (C), 1 piece bottom board (A), 1 pair drawer slide (D) and (G), 4 pieces brackets (F), 1 piece gel wrist support (J), Screws and mounting instructions

* on request