

# FR 2021-S

**SLIDE TYPE:** Regular-Extension Drawer Slide  
Special design for system drawers

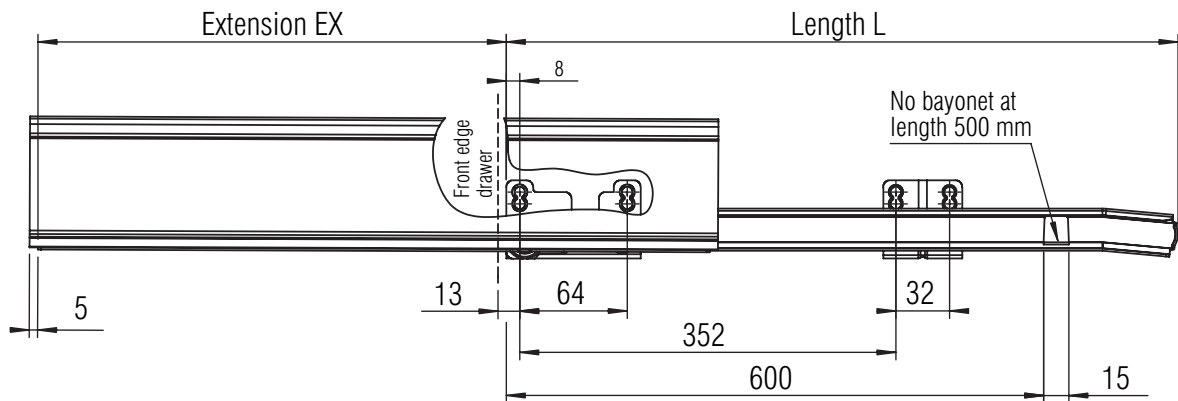
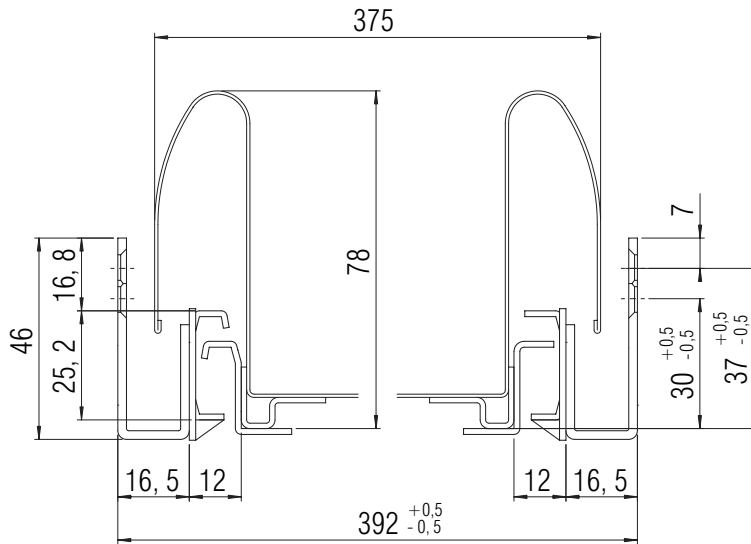
**WIDTH:** Euro System **392 mm**  
**LOAD CAPACITY:** dynamic up to **40 kg**



**MATERIAL:** steel, black powder coated

**FEATURES:** silent rollers, solid delrin\* rollers

**SPECIFICATIONS:**  
► special design for system drawers: for example BBP system drawer with Huwil SVS3 locking system



screw holes for 3.5 mm spax screws / 6.3 mm spax screws

Length L mm	EX mm	Weight per pair (kg)	Order No.
500	379	*	*
700	559	*	*

Minimum order quantity: **100 sets packed separately per box** \* on request

\*DuPont (TM) Delrin®