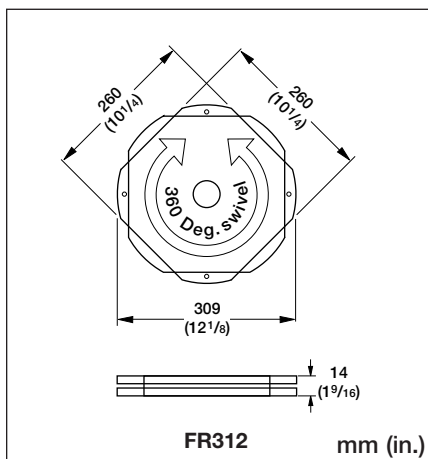
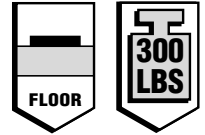


FR 312 Swivel



Material: Cold rolled steel
Load capacity: Dynamic up to 300 lbs.
Colors: Zinc plated
 To order please specify item number.

Features

⇨ The FR312 has a 38mm (1.5) dia. hole, which allows for passing through electrical and data lines

Description	Diameter mm/in.	Height mm/in.	In-Stock Items	Packing per box
FR312.	309/12 1/8	14/1 9/16	zinc	10 pcs.

