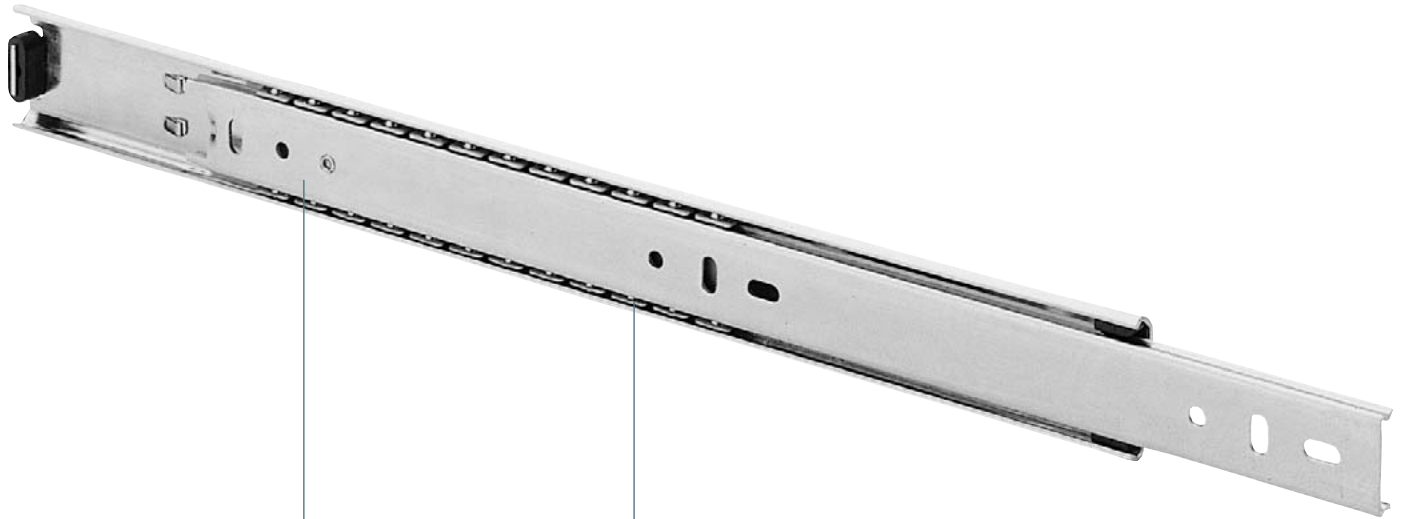


FR 5005

SLIDE TYPE:	Regular-Extension Ball Bearing Drawer Slide
MOUNTING:	Side Mount

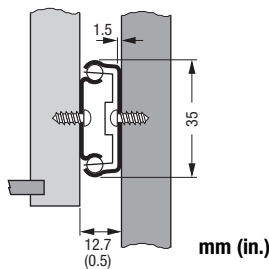
WIDTH:	12.7 mm (0.5 in.)
LOAD CAPACITY:	dynamic up to 34 kg (75 lbs.)



MATERIALS:	cold rolled steel
-------------------	-------------------

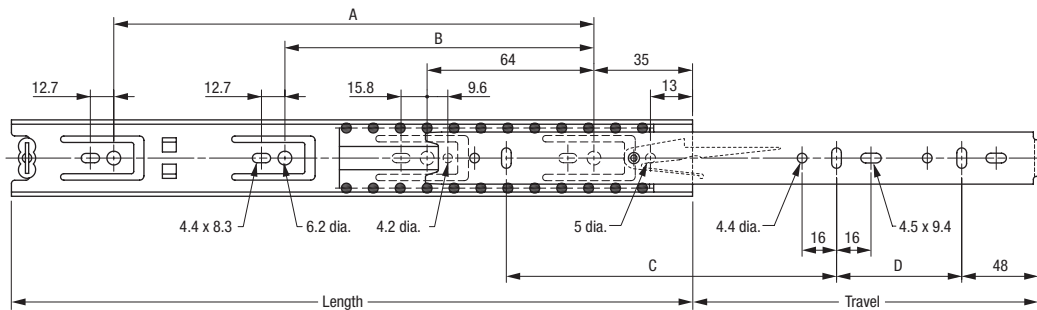
FEATURES:	steel ball bearings
------------------	---------------------

SPECIFICATIONS:
<ul style="list-style-type: none"> ▶ precision ball bearing drawer slide for medium-duty applications in office and residential furniture ▶ drawer profile features an easy to operate disconnect finger release trigger ▶ system 32 compatible hole locations ▶ drawer slide is non-handed, and has a hold-close detent



NOTE:
▶ The compatible full-extension sister model FR 5000

12.7 mm (0.5 in.) is the actual size of the slide.
Allow a min. of 13.1 mm (0.52 in.) for clearance.



Length	Travel	A		B		C		D		Weight		Order No. zinc	Order No. black chromate
		mm	in	mm	in	mm	in	mm	in	kg	lbs		
300	11.81	215	8.46			224	8.81	96	3.78	128	5.03	*	*
350	13.78	245	6.94			224	8.81	160	6.30	96	3.77	*	61200
400	15.75	300	11.81	320	12.59	224	8.81	192	7.55	128	5.03	*	61203 61202
450	17.72	338	13.30	352	13.86	224	8.81	192	7.55	160	6.30	*	6000391 61204
500	19.69	375	14.76	416	16.37	224	8.81	224	8.81	192	7.55	*	6000482 *
550	21.65	413	16.25	416	16.37	224	8.81	256	10.07	192	7.55	*	6000051 *
600	23.62	450	17.71	480	18.89	224	8.81	288	11.33	224	8.81	*	* *
650	25.59	488	19.21	544	21.41	224	8.81	288	11.33	256	10.07	*	* *

Packing Unit: 20 pair per box

*on request