

FR 5036

SLIDE TYPE:	Full-Extension Ball Bearing Drawer Slide
MOUNTING:	Side Mount

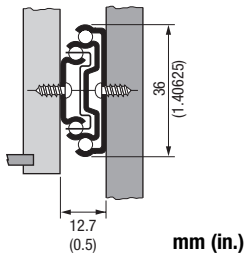
WIDTH:	12.7 mm (0.5 in.)
LOAD CAPACITY:	dynamic up to 34 kg (75 lbs.)



MATERIALS:	cold rolled steel
-------------------	-------------------

FEATURES:	steel ball bearings
------------------	---------------------

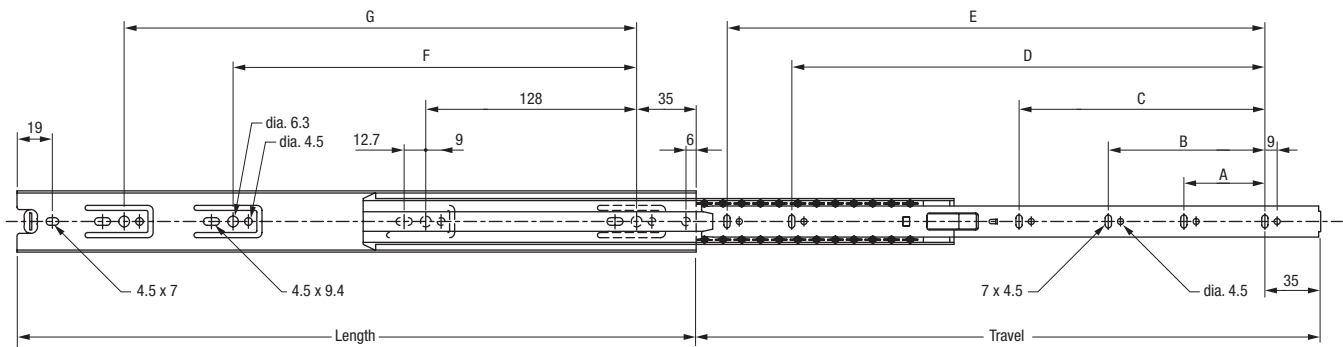
SPECIFICATIONS:
<ul style="list-style-type: none"> ▶ precision ball bearing drawer slide for medium-duty applications in office and residential furniture ▶ drawer profile features an easy to operate disconnect finger release latch ▶ system 32 compatible hole locations ▶ drawer slide is non-handed, and has a hold-close detent



Disconnect finger latch

NOTE:
▶ The compatible regular extension sister model FR 5027

12.7 mm (0.5 in.) is the actual size of the slide.
Allow a min. of 13.1 mm (0.52 in.) for clearance.



Length	Travel		A		B		C		D		E		F		G		Weight		Order No.	
	mm	in	mm	in	mm	in	mm	in	mm	in	mm	in	mm	in	mm	in	kg	lbs		zinc
250	9.85	254	10.00	192	7.56								160	6.30	*	*	*	*	400300	
300	11.81	305	12.01	242	9.53								208	8.19	*	*	*	*	400301	
350	13.78	356	14.02	128	5.04	292	11.50						256	10.08	*	*	*	*	400302	
400	15.75	406	15.99	128	5.04	320	12.60	342	13.47				288	11.34	*	*	*	*	400303	
450	17.72	457	17.99	128	5.04	320	12.60	392	15.43				288	11.34	352	13.86	*	*	400304	
500	19.69	508	20.00	128	5.04	192	7.56	352	13.86	442	17.40		288	11.34	416	16.38	*	*	400305	
550	21.66	559	22.01	128	5.04	224	8.82	416	16.38	492	19.37		288	11.34	416	16.38	*	*	400306	
600	23.62	610	24.02	128	5.04	224	8.82	416	16.38	544	21.42		320	12.60	480	18.90	*	*	400307	
650	25.59	660	25.98	128	5.04	224	8.82	416	16.38	544	21.42	592	23.31	352	13.86	544	21.42	*	*	400308

Packing Unit: 10 pair per box

* on request