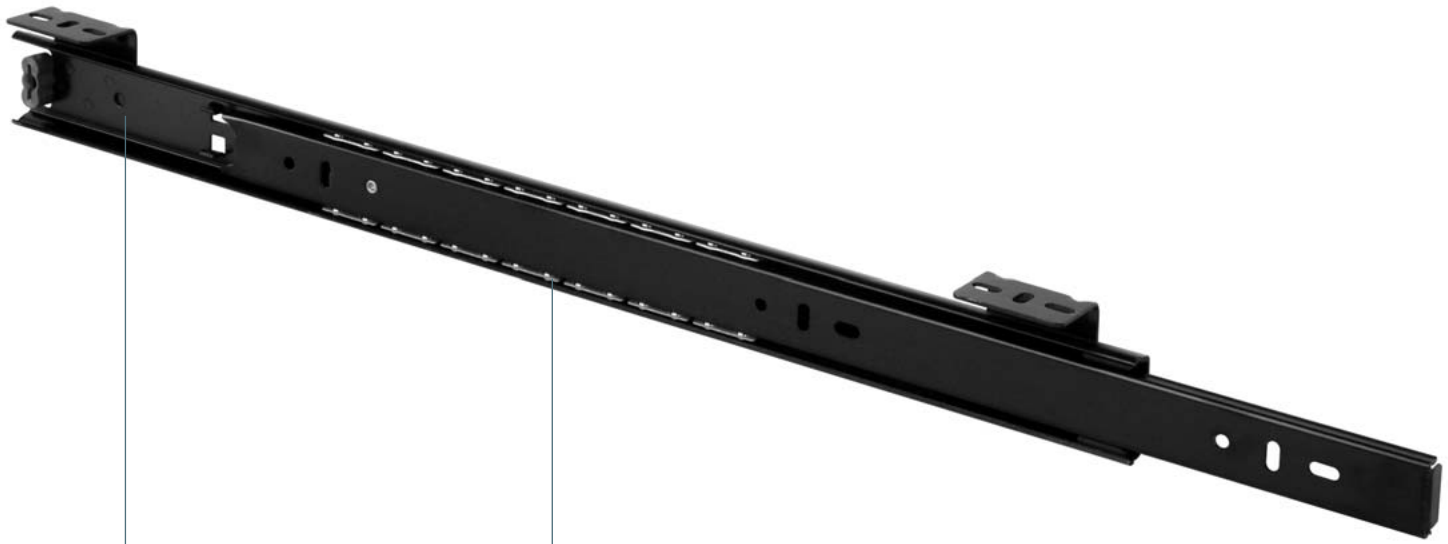


FR 5162

| | |
|--------------------|---|
| SLIDE TYPE: | Regular-Extension Ball Bearing Pencil Tray Slide |
| MOUNTING: | Top Mount |

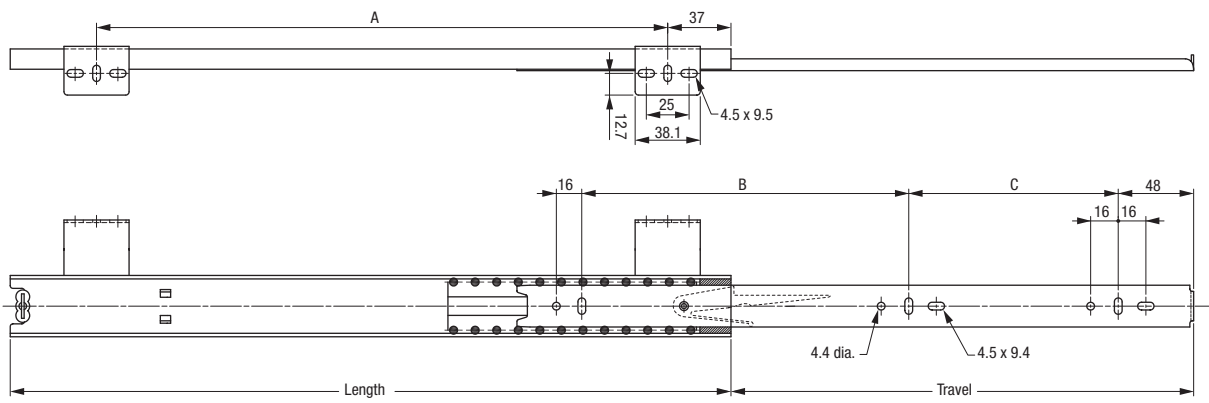
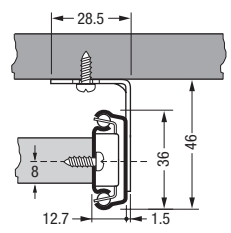
| | |
|-----------------------|--------------------------------------|
| WIDTH: | 12.7 mm (0.5 in.) |
| LOAD CAPACITY: | dynamic up to 34 kg (75 lbs.) |



| | |
|------------------|-------------------|
| MATERIAL: | cold rolled steel |
|------------------|-------------------|

| | |
|------------------|---------------------|
| FEATURES: | steel ball bearings |
|------------------|---------------------|

- SPECIFICATIONS:**
- ▶ simple top mounting by means of brackets welded to the slide
 - ▶ suited for pencil trays, work surface extensions and/or to add a drawer
 - ▶ drawer profile features an easy to operate disconnect finger release trigger
 - ▶ hold-close detent
 - ▶ pencil trays can be supplied with the FR 5162 on request



| Length | Travel | A | | B | | C | | Weight | Order No. | | | |
|--------|--------|-----|-------|-----|-------|-----|-------|--------|-----------|----------------|-------|-------|
| | | mm | in | mm | in | mm | in | | zinc | black chromate | | |
| 300 | 11.81 | 225 | 8.86 | 224 | 8.82 | 106 | 4.17 | 128 | 5.04 | * | 61131 | * |
| 350 | 13.78 | 263 | 10.35 | 288 | 11.34 | 142 | 5.59 | 128 | 5.04 | * | 61133 | 61132 |
| 400 | 15.75 | 300 | 11.81 | 320 | 12.60 | 192 | 7.56 | 128 | 5.04 | * | 61136 | * |
| 450 | 17.72 | 338 | 13.31 | 384 | 15.12 | 192 | 7.56 | 160 | 6.30 | * | 61135 | 61137 |
| 500 | 19.69 | 375 | 14.76 | 416 | 16.38 | 224 | 8.82 | 192 | 7.56 | * | 61141 | * |
| 550 | 21.66 | 413 | 16.26 | 480 | 18.90 | 256 | 10.08 | 192 | 7.56 | * | 61142 | * |
| 600 | 23.62 | 450 | 17.72 | 512 | 20.16 | 288 | 11.34 | 224 | 8.82 | * | * | * |
| 650 | 25.59 | 488 | 19.21 | 544 | 21.42 | 288 | 11.34 | 256 | 10.08 | * | * | * |

Packing Unit: **20 pair per box**

*** on request**

