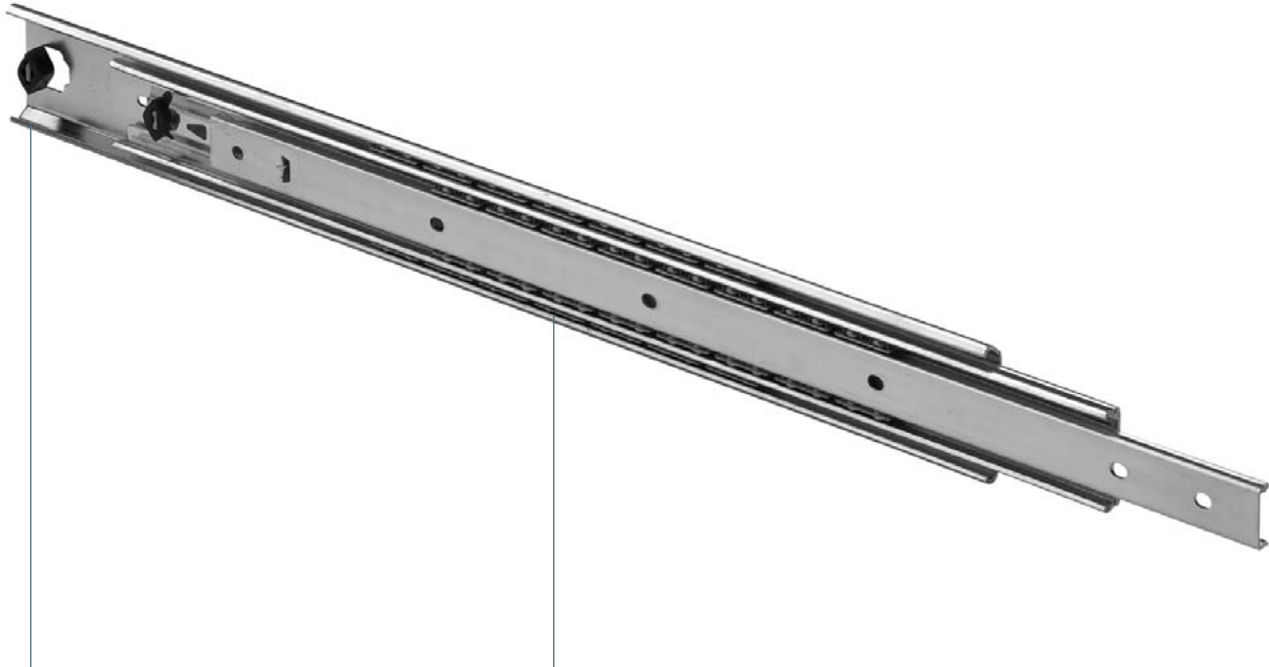


FR 5302

SLIDE TYPE:	Heavy-Duty Full-Extension Ball Bearing Drawer Slide
MOUNTING:	Side Mount

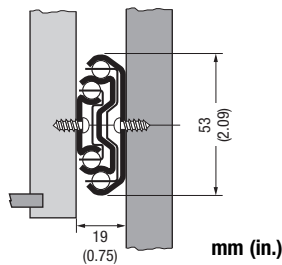
WIDTH:	19 mm (0.75 in.)
LOAD CAPACITY:	dynamic up to 100 kg (225 lbs.)



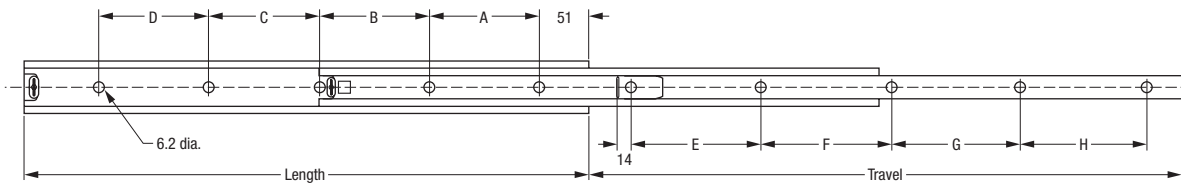
MATERIAL:	cold rolled steel
------------------	-------------------

FEATURES:	steel ballbearings
------------------	--------------------

SPECIFICATIONS:	<ul style="list-style-type: none"> ▶ precision ball bearing drawer slide for heavy-duty usage ▶ telescoping 3-stage design with excellent running qualities ▶ standard 25 mm (1 in.) overtravel ▶ drawer slide is non-handed and has a hold close detent
------------------------	--



19 mm (0.75 in.) is the actual size of the slide.
Allow a min. of 19.5 mm (0.77 in.) for clearance.



Length	Travel	Cabinet Profile:				Drawer Profile:				Weight	Order No.								
		A	B	C	D	E	F	G	H										
mm	in	mm	in	mm	in	mm	in	mm	in	mm	in	mm	in	kg	lbs	zinc			
300	11.81	225	8.85	112	4.41	80	3.15			128	5.04	128	5.04	n/a	*	600111			
350	13.78	386	15.20	144	5.67	96	3.78			160	6.30	160	6.30	n/a	*	600113			
400	15.75	435	17.13	144	5.67	80	3.15	80	3.15	96	3.78	96	3.78	160	6.30	*	600100		
450	17.72	484	19.06	80	3.15	192	7.55	80	3.15	128	5.04	160	6.30	128	5.04	*	600101		
500	19.69	534	21.02	112	4.41	160	6.30	112	4.41	160	6.30	160	6.30	128	5.04	*	600102		
550	21.65	582	22.91	112	4.41	176	6.93	160	6.30	192	7.55	128	5.04	192	7.55	*	600103		
600	23.62	632	24.88	112	4.41	224	8.81	160	6.30	208	8.19	128	5.04	208	8.19	*	600104		
650	25.59	681	26.81	112	4.41	160	6.30	144	5.67	128	5.04	192	7.55	160	6.30	128	5.04	*	600105
700	27.56	730	28.74	144	5.67	160	6.30	144	5.67	128	5.04	208	8.19	208	8.19	128	5.04	*	600106
750	29.53	779	30.67	176	6.93	160	6.30	160	6.30	192	7.55	160	6.30	178	7.01	196	7.72	*	600107
800	31.50	828	32.60	192	7.55	192	7.55	192	7.55	224	8.81	160	6.30	164	6.46	224	8.81	*	600108

Packing Unit: 10 pair per box

*on request