

FR 7100

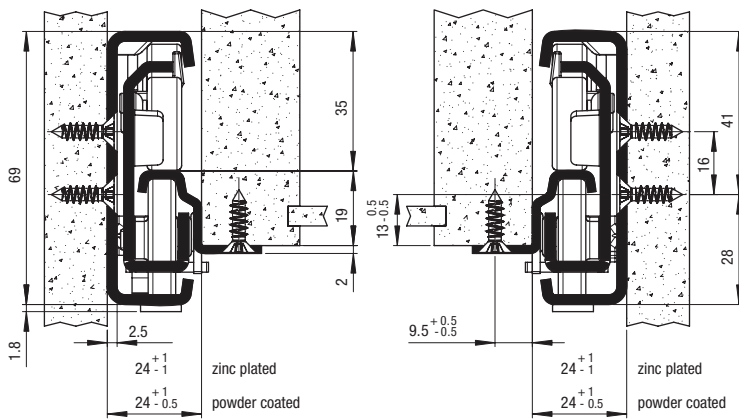
SLIDE TYPE:	Full-Extension Drawer Slide - Progressive-Action
MOUNTING:	Bottom Mount

WIDTH:	24 mm (0.95 in.)
LOAD	dynamic up to 125 kg (275 lbs.) full-ext.
CAPACITY:	dynamic up to 100 kg (225 lbs.) over-ext.

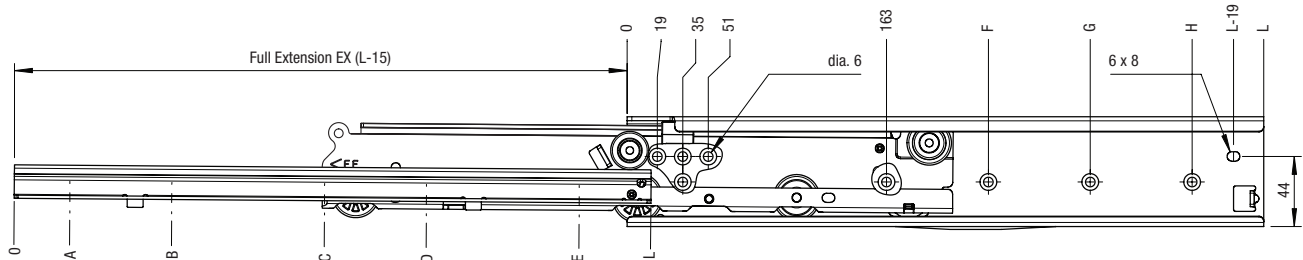


MATERIAL:	steel, grey powder coated or zinc plated	FEATURES:	solid delrin* rollers
------------------	--	------------------	-----------------------

SPECIFICATIONS:
<ul style="list-style-type: none"> ▶ cabinet and drawer profile with screw holes ▶ high lateral stability through specially formed middle profile and guide rollers ▶ ideal running characteristic and smoothness of running through integrated progressive-action ▶ safety clip mounted in middle profile ▶ double-sided captive profile ▶ self-closing



NOTES:
<ul style="list-style-type: none"> ▶ compatible with regular-extension drawer slide FR 215 ▶ on request: available with 60 mm (2.36 in.) over-extension



Length L	EX		A		B		C		D		E		F		G		H		Order No. zinc full-extension	Order No. grey full-extension	
	mm	in	mm	in	mm	in	mm	in	mm	in	mm	in	mm	in	mm	in	mm	in			
400	15.75	385	15.16	46	1.81	238	9.37	366	14.41				323	12.72					*	7100	
450	17.72	435	17.13	32	1.26	288	11.34	416	16.38				355	13.98					*	7101	
500	19.69	485	19.10	50	1.97	146	5.75	370	14.57	466	18.32		291	11.46	451	17.76			*	7102	
550	21.65	535	21.06	36	1.42	196	7.72	420	16.54	516	20.31		323	12.72	483	19.02			*	7103	
600	23.62	585	23.03	22	0.87	246	9.69	438	17.24	566	22.28		355	13.98	547	21.54			*	7104	
650	25.59	635	25.00	40	1.57	296	11.65	488	19.21	616	24.25		355	13.98	611	24.06			*	7105	
700	27.56	685	26.97	26	1.02	186	7.32	346	13.62	538	21.18	666	26.22	355	13.98	515	20.28	643	25.32	*	7106
750	29.53	735	28.94	44	1.73	204	8.03	396	15.59	588	23.15	716	28.19	355	13.98	547	21.54	675	26.58	*	7107

Packing Unit: 4 sets per box

*on request

*DuPont (TM) Delrin®