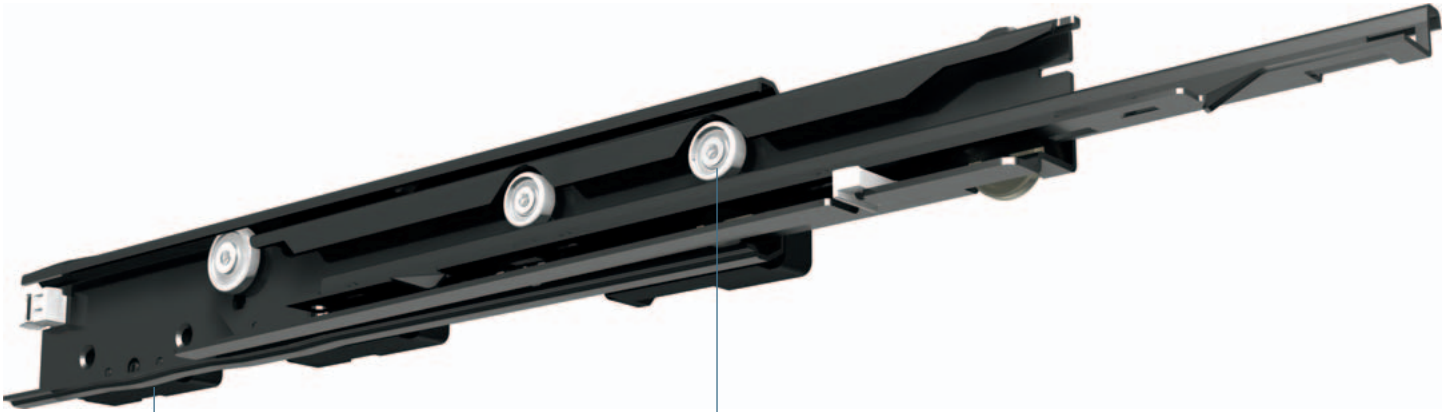


FR 738-S

SLIDE TYPE: Full-Extension Drawer Slide - Progressive-Action, Special design for system drawers

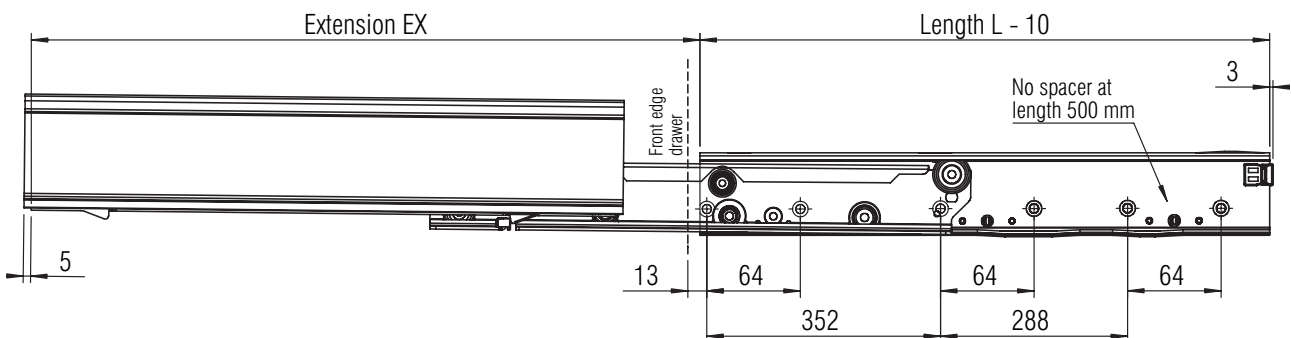
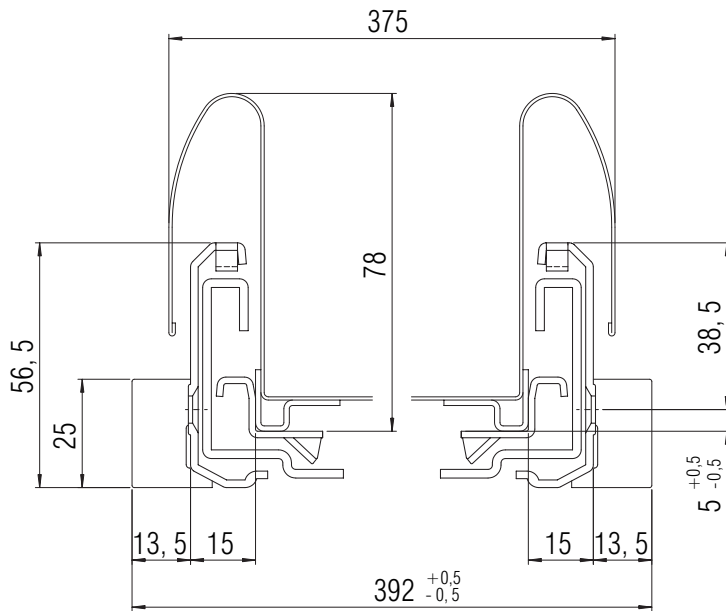
WIDTH: 392 mm
LOAD CAPACITY: dynamic up to 50 kg



MATERIAL: steel, black powder coated

FEATURES: solid delrin* rollers

SPECIFICATIONS:
 ▶ special design for system drawers: for example BBP system drawer with Huvil SVS3 locking system



screw holes for 3,5 mm spax screws / 6,3 mm spax screws

Length L mm	EX mm	Weight per pair (kg)	Order No.
500	554	*	*
700	754	*	*

Minimum order quantity: 100 sets packed separately per box * on request