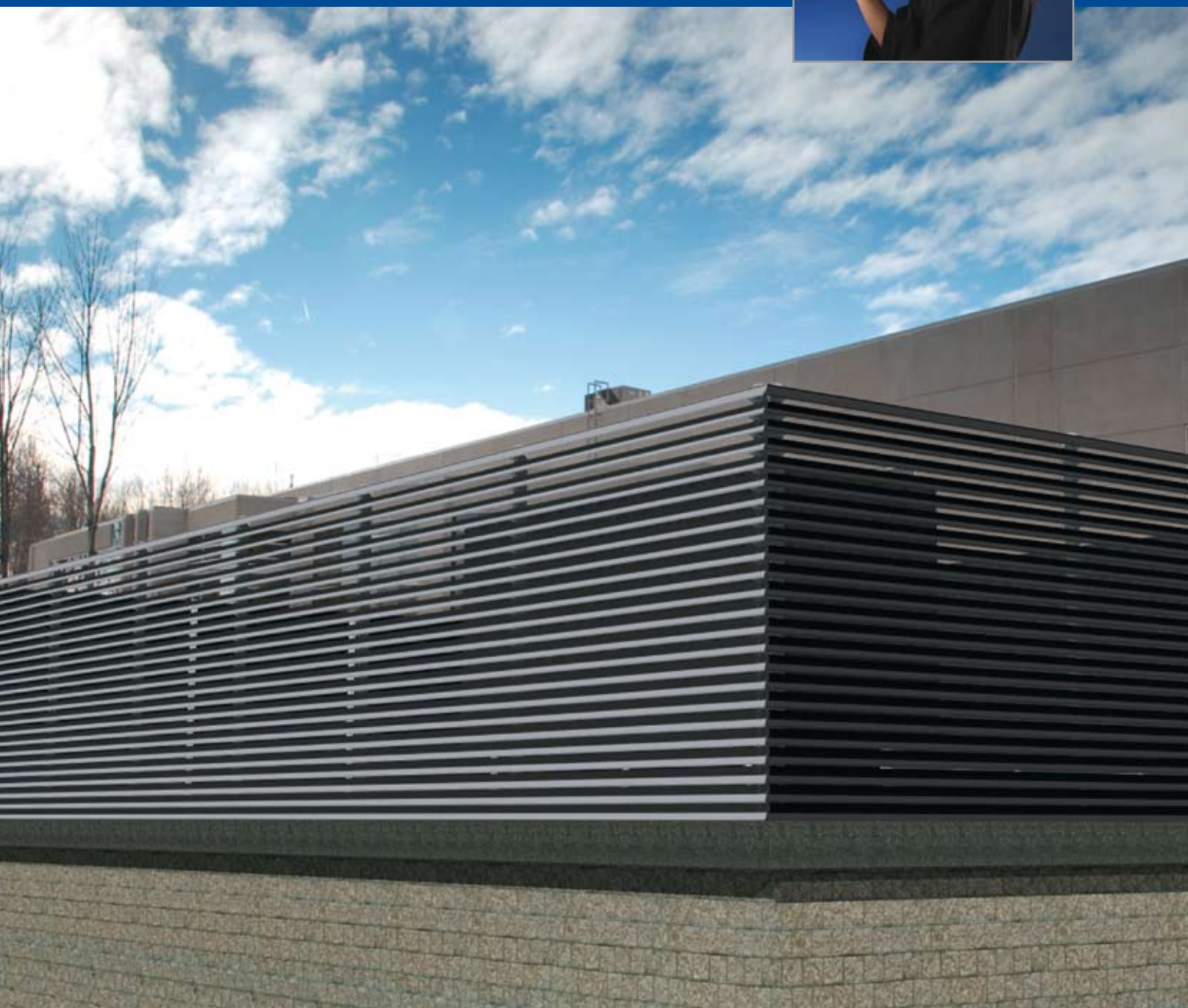


LINIUS BLADE WITH 76% PHYSICAL FREE AREA

LINIUS L.060HF



LINIUS L.060HF

DESCRIPTION

Extruded aluminium louvre profile with minimal air flow resistance. Particularly suitable where a large airflow is required in combination with considerable optical density and a sharp design.

MATERIALS

Aluminium extrusion, alloy EN AW-6063 T66.

FINISHES

- Anodised F1 (20 micron / 25 micron (UK)).
- Polyester powdercoating RAL or Syntha Pulvin(R) colours (60-70 micron / UK: min.40 μ - min.60 μ for white finish)

MESH

Fixed to rear of the support structure.

Standard mesh types :

- insect: 2.3 mm x 2.3 mm (stainless steel)
- birds: 6 mm x 6 mm (stainless steel)
- vermin: 20 mm x 20 mm (stainless steel)

DOORS

Single and double doors available with the standard RENSON finish hardware and rotating on pivot.

BLADE SUPPORT

Single blade support: Type L.060HF.11

Double blade support for thermal expansion: L.060HF.12

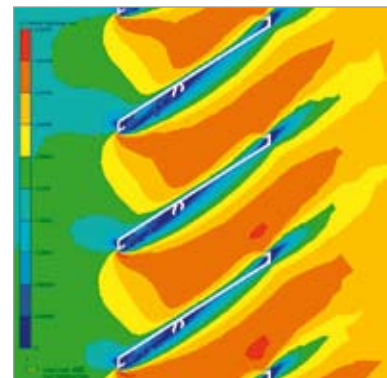
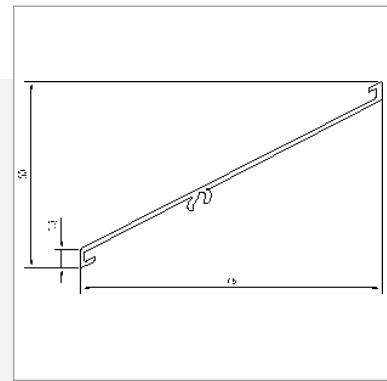
TECHNICAL DATA

- Pitch: 60mm
- Depth: 78mm
- Height: 60mm
- K-Factor, supply: 4.81
- K-Factor, extraction: 4.53
- Visual free area: 90%
- Physical free area: 76%
- Max. unsupported span between two mullions: 1000mm

RENSON

- Reliable and high quality products.
- Specialist in ventilation and sun protection.
- Professional advice and service.
- Worldwide experience.
- Since 1909.

Conditional technical changes • The most recent edition of the brochure can be downloaded on www.renson.eu



RENSON Ventilation • IZ 2 Vijverdam • Maalbeekstraat 10 • 8790 Waregem • Belgium
Tel. 0032 56 62 71 11 • Fax 0032 56 60 28 51 • info@renson.be • www.renson.eu

RENSON Fabrications LTD • Fairfax Units 1-5 • Bircholt Road
Parkwood Industrial Estate • Maidstone • Kent ME15 9SF • Tel. 01622/754123
Fax 01622/689478 • Fax 01622/689479 • info@rensonuk.net • www.renson.eu

 **RENSON**
INNOVATION IN VENTILATION