

ACOUSTIC WINDOW VENT WITH ALUMINIUM CANOPY

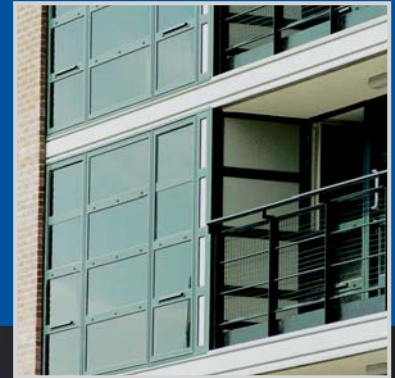
# CANOPY AK / TIPVENT® AK

SELF-REGULATING SLOT VENT

AIRFLOW THROUGH WINDOW FRAME

FOR ALUMINIUM, UPVC AND TIMBER WINDOWS

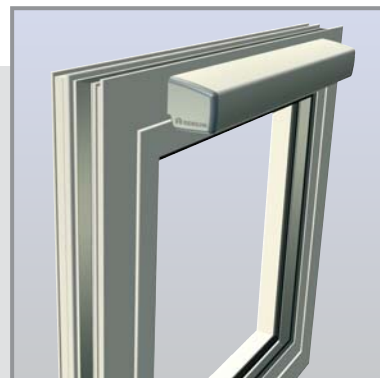
NO GLASS REDUCTION



# CANOPY AK / TIPVENT® AK

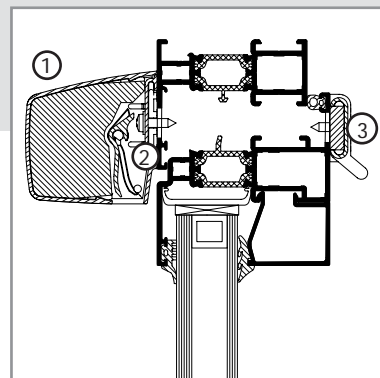
## INTRODUCTION

The combination CANOPY AK and TIPVENT® AK is developed to offer a professional answer to requirements for aesthetically acoustic window vents. This window vent is equipped with a self-regulating flap which allows a constant airflow at different wind speeds.



## PRODUCT

- Outside acoustic CANOPY in aluminium to be surface mounted on all window types with invisible fixing ①
- Self-regulating flap for constant airflow ②
- Inside aluminium acoustic TIPVENT® with invisible fixing ③



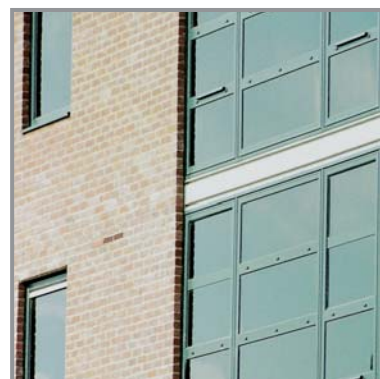
## APPLICATIONS

- For aluminium, uPVC and timber windows
- For new-built as well as refurbishment
- manual control



## TECHNICAL FEATURES

- Overall length of canopy 414 mm
- Free area : 5620 mm<sup>2</sup>
- Acoustic performance of AK combination :  
Open position : 40 (-1, -2) dB Dn,w (C, Ctr)  
Closed position : 41 (-1, -2) dB Dn,w (C, Ctr)
- Suitable for all window depths



Conditional technical changes

**RENSON Ventilation** • IZ 2 Vijverdam • Maalbeekstraat 10 • 8790 Waregem • Belgium  
Tel. +32 (0)56 62 71 11 • Fax +32 (0)56 60 28 51 • info@renson.be • www.renson.net

**RENSON Fabrications LTD** • Fairfax Unit 1-3 • Bircholt Road  
Parkwood Industrial Estate • Maidstone • Kent ME15 9SF • Tel. 01622/754123  
Fax 01622/689478 • Fax 01622/689479 • info@rensonuk.net • www.renson.net

 **RENSON**  
INNOVATION IN VENTILATION