

ACOUSTIC WINDOW VENT WITH ALUMINIUM CANOPY

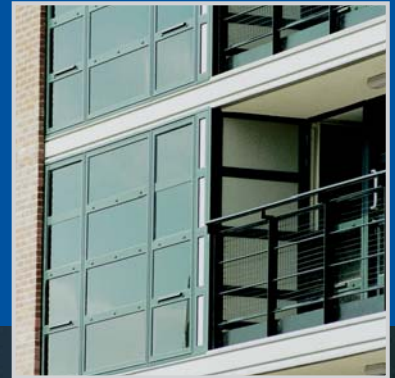
# 771 AK / 787 AK

SELF-REGULATING SLOT VENT

AIRFLOW THROUGH WINDOW FRAME

FOR ALUMINIUM, UPVC AND TIMBER WINDOWS

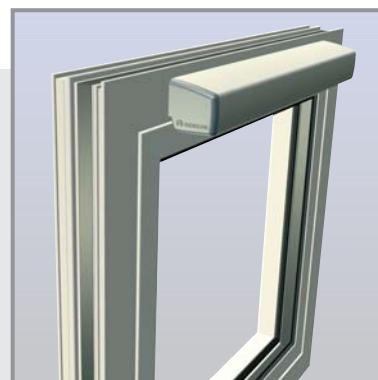
NO GLASS REDUCTION



# 771 AK / 787 AK

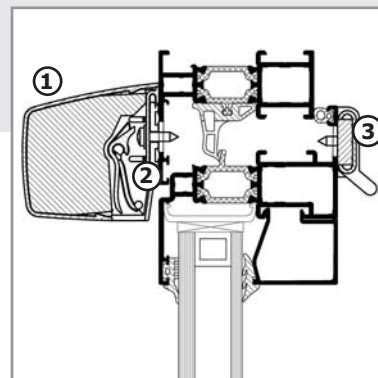
## INTRODUCTION

The combination 771AK and 787AK is developed to offer a professional solution to requirements for aesthetic acoustic window vents. This window vent is equipped with a self-regulating flap which allows a constant airflow at different wind speeds.



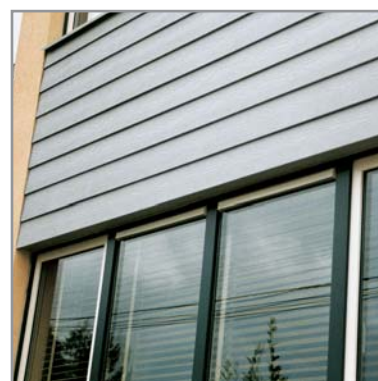
## PRODUCT

- Outside : Acoustic 771AK in aluminium to be surface mounted on all window types with invisible fixing ①  
Self-regulating flap for constant airflow ②
- Inside : Acoustic 787AK with invisible fixing ③



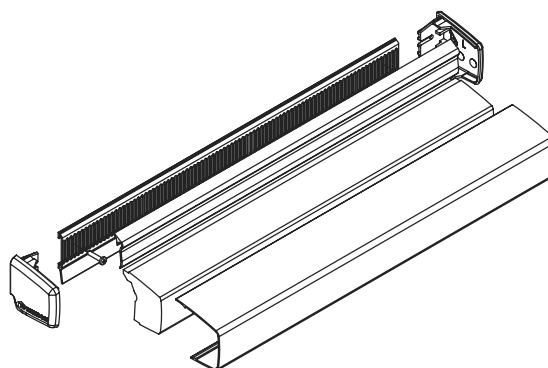
## APPLICATIONS

- For aluminium, uPVC and timber windows
- For new-built as well as refurbishment
- Manual control



## TECHNICAL FEATURES

- Overall length of 771AK : 414 mm
- Free area : 4000 mm<sup>2</sup>
- Acoustic performance of AK combination :  
Open position : 40 (-1, -2) dB Dn,w (C, Ctr)  
Closed position : 41 (-1, -2) dB Dn,w (C, Ctr)
- Suitable for all window depths



Conditional technical changes

**RENSON Ventilation** • IZ 2 Vijverdam • Maalbeekstraat 10 • 8790 Waregem • Belgium  
Tel. +32 (0)56 62 71 11 • Fax +32 (0)56 60 28 51 • info@renson.be • www.renson.net

**RENSON Fabrications LTD** • Fairfax Unit 1-3 • Bircholt Road  
Parkwood Industrial Estate • Maidstone • Kent ME15 9SF • Tel. 01622/754123  
Fax 01622/689478 • Fax 01622/689479 • info@rensonuk.net • www.renson.net

 **RENSON**  
INNOVATION IN VENTILATION

L2001102 04/06