

GLAZED-IN LOUVRE WITH THERMALLY BROKEN FRAME

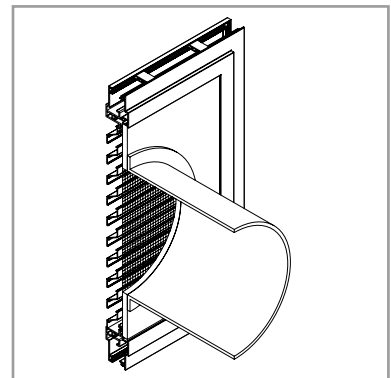
414TH

- Thermally broken frame
- Fits all types of windows
- 24, 28 and 32 equal leg to glaze into window profile
- 35% better U-value than non-thermally broken louvre 414



414TH

The RENSON 414TH is a glazed-in louvre that fits into all types of windows. The frame is thermally broken. The 414TH are always manufactured made to measure to your specific requirements.



PRODUCT

Material

- Units are assembled from extruded sections of aluminium AlMgSi 0.5
- Thermal joints in POM
- Complete with insect screen in stainless steel 304 18/8 (2,3 x 2,3 mm) (6 x 6 mm or 10 x 10 mm on request)

Finish

- Anodised satin (E6/EV1) or bronze (E6/C34) (20 micron)
- Powdercoated in any RAL- or Syntha Pulvin colours (60-70 micron) (dual colour possible)
- Supplied with insulated top hat trays, duct not included

Sizes

- Minimum size: 130 x 130 mm
- 24, 28 and 32 equal leg to glaze into window profile

Technical details

- Visual free area: 59 %
- U-value: 3,9 W/m²K

Fixing

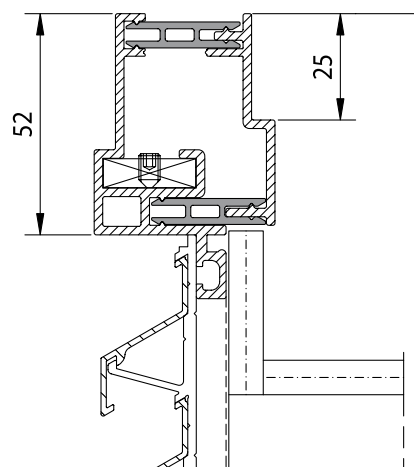
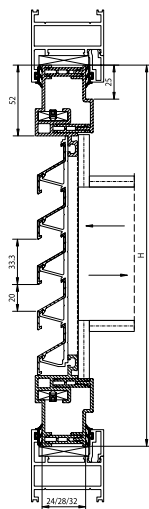
- The use of glazing blocks for fixing is recommended

APPLICATIONS

- Ventilation, cooling and heating installations
- Hospitals, schools, hotels
- Curtain walls

OPTIONS

- Water channel
- Drainage profile



Conditional technical changes • The most recent edition of the brochure can be downloaded on www.renson.eu

RENSON Ventilation • IZ 2 Vijverdam • Maalbeekstraat 10 • B-8790 Waregem
Tel. +32 (0)56 62 71 11 • Fax +32 (0)56 60 28 51 • info@renson.be • www.renson.eu

RENSON Fabrications LTD (UK) • Fairfax Units 1-5 • Bircholt Road
Parkwood Ind Est • Maidstone • Kent • ME15 9SF • Sales Tel. 01622/754123
Fax 01622/689478 • Fax 01622/689479 • info@rensonuk.net • www.renson.eu

 **RENSON**
INNOVATION IN VENTILATION