

FLAT THERMALLY BROKEN VENTILATOR

# THM 90

- Flat aluminium flapvent for application into sliding windows
- Easy to clean
- Quick and easy assembly from 6m lengths



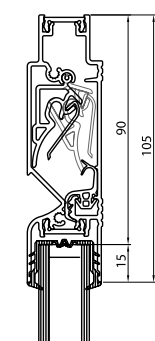
# THM 90

## INTRODUCTION

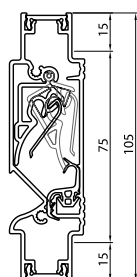
The THM90 is the new and improved version of the well known TH90. Its flat design remained, but at the inside an extra wind flap has been integrated to guarantee a higher water tightness in open position. As a consequence, THM90 becomes the most performant ventilator for sliding doors.

## PRODUCT

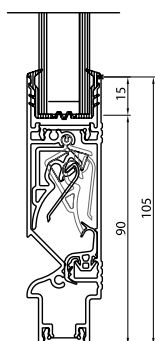
- The outer profile is a punched profile which leads towards an extra strong profile
- The flat, perforated inner profile also functions as an insect mesh
- Easy to clean
- Endcaps available in different colours
- Quick and easy assembly from 6 meter lengths
- Wide choice of control options, such as manual, rod and motor controls



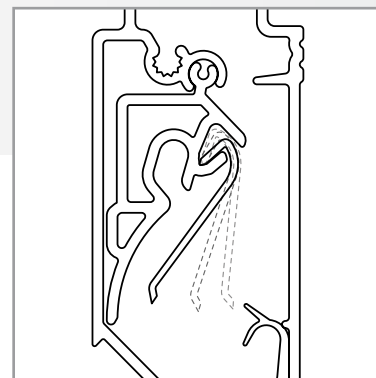
THM90 20/24/28/33



THM90TR 20/24

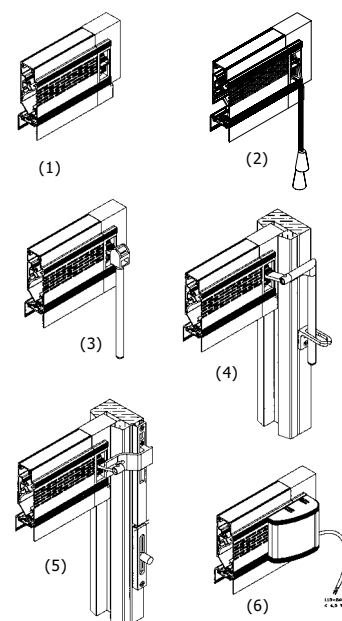


THM90PB 20/24/28



## TECHNICAL SPECIFICATIONS

AIRFLOW	m <sup>3</sup> /h/m	l/s/m
at 1 Pa	31,8	8,8
at 2 Pa	45,0	12,5
at 4 Pa	48,3	13,4
at 8 Pa	50,7	14,1
at 10 Pa	46,5	12,9
at 20 Pa	50,0	13,9
Equivalent area		11.176 mm <sup>2</sup>
Free area		15.000 mm <sup>2</sup>
Controllability		5 positions
U-value		3,79 W/m <sup>2</sup> K
Controllability in function of the pressure loss (self-regulating)		not tested yet
Leakage flow in closed position at 50Pa < 15%		yes
Insect free		yes
Water tightness in closed position		till 350 Pa
Water tightness in open position		till 20 Pa
Windtightness in closed position		650 Pa
Acoustic insulation Dn,e,w (C;Ctr) in open position		26 (0;0) dB
Acoustic insulation Dn,e,w (C;Ctr) in closed position		45 (-1;-1) dB
f-value in closed position		0,56
Glass reduction		90 mm
Built-in height		105 mm
Glass thickness THM90		20, 24, 28 or 33 mm
Glass thickness THM90PB		20, 24 or 28 mm
Glass thickness THM90TR		20 or 24 mm
Control options		(1) (2) (3) (4) (5) (6)



Conditional technical changes • The most recent edition of the brochure can be downloaded on [www.renson.eu](http://www.renson.eu)

**RENSON Ventilation** • IZ 2 Vijverdam • Maalbeekstraat 10 • 8790 Waregem • Belgium  
Tel. +32 (0)56 62 71 11 • Fax +32 (0)56 60 28 51 • [info@renson.be](mailto:info@renson.be) • [www.renson.eu](http://www.renson.eu)

**RENSON Fabrications LTD** • Fairfax Units 1-5 • Bircholt Road  
Parkwood Industrial Estate • Maidstone • Kent ME15 9SF • Tel. 01622/754123  
Fax 01622/689478 • Fax 01622/689479 • [info@rensonuk.net](mailto:info@rensonuk.net) • [www.renson.eu](http://www.renson.eu)

 **RENSON**  
INNOVATION IN VENTILATION