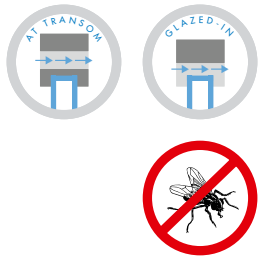


TL67 – TL100 – TL100 PB < Sliding vents



Sliding vents without thermal break for glazed-in installation or at transom

The TL67 en TL100(PB) are aluminium sliding vents without thermal break, typically for glazed-in installation. The outer part is a decorative louvre with inclined blades to insure rain protection, the inside part is an aluminium slider which can be adjusted to control the airflow. The THL100PB is a special version of the TL100 for installation at the bottom of the window.

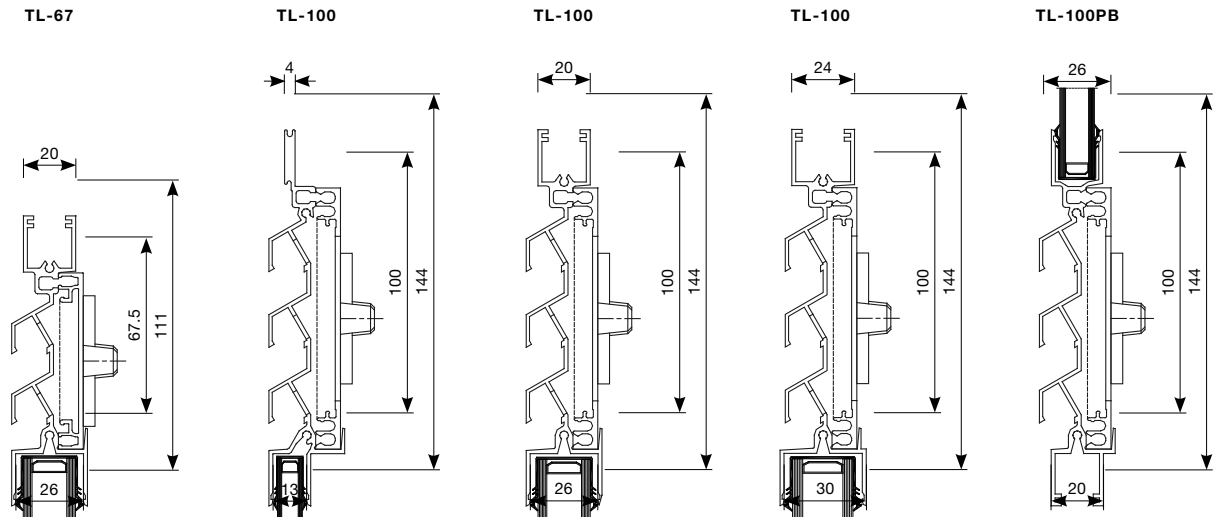
Glazed-in installation

The TL67 en TL100(PB) can be installed glazed-in (at the top of the glazing or at the bottom of the glazing: TL100PB), or at transom (using the additional transom profiles).

Insect mesh



Section detail



Technical characteristics

	TL67	TL100	TL100PB
Airflow			
Equivalent area	10137 mm ² /m	14198 mm ² /m	14198 mm ² /m
Q at 1 Pa	8,0 l/s/m	11,2 l/s/m	11,2 l/s/m
Q at 1 Pa	28,7 m ³ /h/m	40,2 m ³ /h/m	40,2 m ³ /h/m
Q at 2 Pa	11,4 l/s/m	16,0 l/s/m	16,0 l/s/m
Q at 10 Pa	25,3 l/s/m	35,8 l/s/m	35,8 l/s/m
Q at 20 Pa	36,2 l/s/m	50,6 l/s/m	50,6 l/s/m
Comfort			
Sound reduction $D_{n,e,w}$ (C;C _{tr})			
- in open position		n.p.d.	
- in closed position		n.p.d.	
Technical characteristics			
Controllable internal flap		Continuous adjustment	
Control options internal flap	Manual, chain, cord	Manual, chain, cord, rod, motor	
U value		n.p.d.	
Air leakage at 50 Pa		n.p.d.	
Watertightness in closed position, up to		n.p.d.	
Watertightness in open position, up to		n.p.d.	
Dimensions			
Height	67 mm	100 mm	100 mm
Glass reduction	98 mm	129 mm	129 mm
Glass thickness	20 mm	4, 20, 24 mm	20 mm
Max. length		3500 mm	