

# FORCE

Linear spindle actuator - Force in push action 1000 N - Stroke 500, 750 and 1000 mm



- Load transmission by stainless steel spindle diameter 22 mm.
- High protection from atmospheric agent (IP 65).
- Supplied with fixing bracket and connector. Front or back fixing
- For a smaller dimension is available a back bracket to be ordered separately part No. 803821
- Warning: the actuator is provided with electronic limit stop.  
When the actuator is in stroke end positions, if in closing, do not repeat the closing operation, and vice versa in opening.

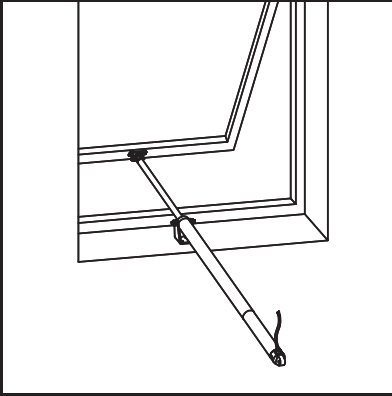
VOLTAGE SUPPLY	24 Vdc $\pm$ 10%
ELECTRIC CONNECTION	2 wires
OPERATION	by polarity inversion
STROKE	500/750/1000 mm
FORCE (in push and pull action)	1000 N
SPEED	~ 6 mm/s
CURRENT ABSORPTION( with max load)	~ 1 A
PARALLEL CONNECTION	YES
LIMIT STOP	Electronic
SAFETY STOP	Electronic
TIME RATING	50%
PROTECTION CLASS	IP 65

## PART No.

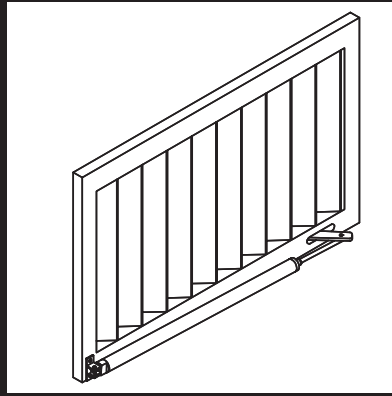
STROKE	500 mm	750 mm	1000 mm
SILVER ANODIZED	40204U	40103Q	40236G

## SPECIFICATION PROSPECTS

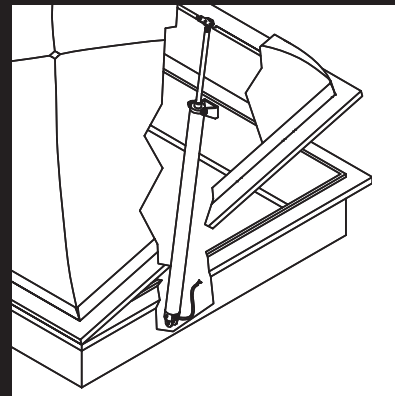
Electric linear actuator Ultraflex Control Systems named Force with load transmission by rigid stainless spindle  $\varnothing$  22 mm. Stroke 500, 750 - 1000 mm. Voltage supply: 24 Vdc. Force 1000 N. Class protection IP 65. Parallel connection. Electronic safety limit stop. Casing in silver anodized. Conform to 89/336 EMC directives as modified per 93/68 CE.



Installation on top hinged window with windowsill with fixing end bracket included

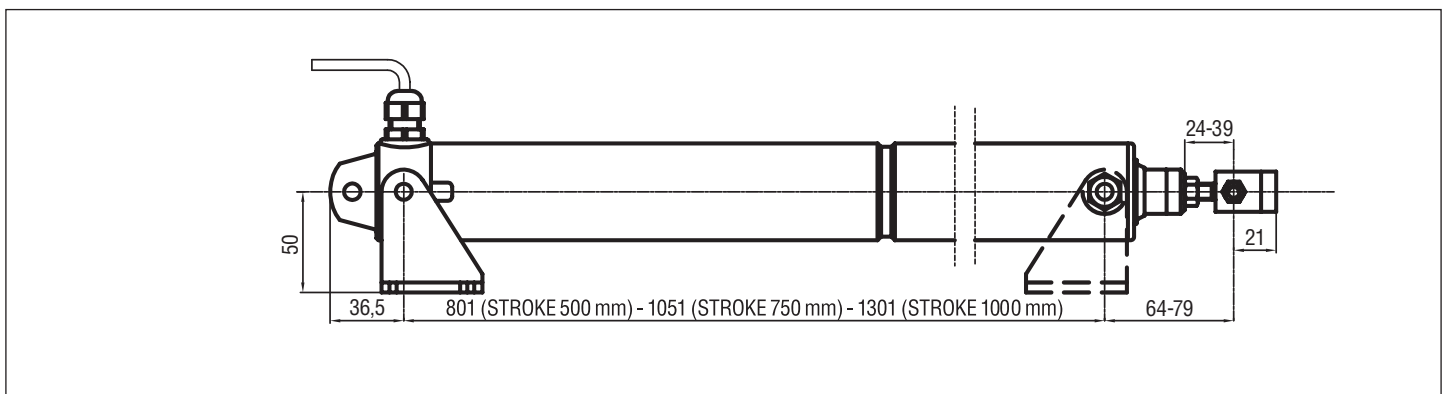


Installation on sun blades with back fixing through bracket included or through bracket part No. 803821 (for smaller dimension)



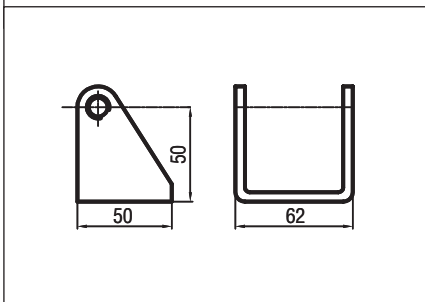
Installation on dome with fixing end bracket included

⚠ The instructions for a safe installation are included in the section "SECURITY WARNINGS"

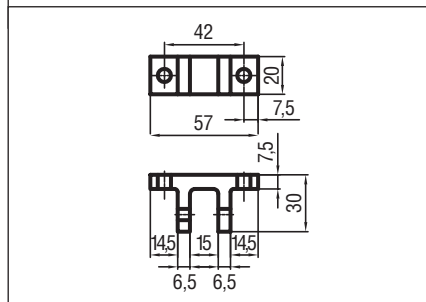
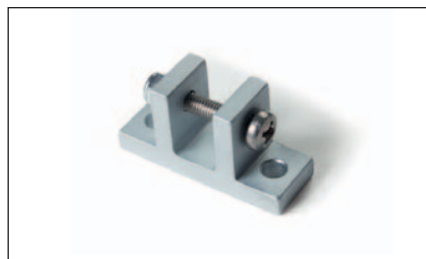


Actuator dim.

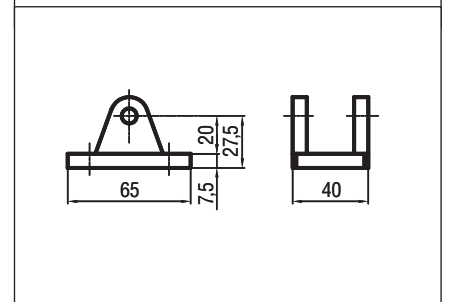
**Accessories**



Aluminum end bracket included



Connector kit to fix the spindle on the vent included



Aluminium back bracket part No. 803821