

MAX

Linear spindle actuator - Force in push action 450 N with stroke 300 mm and 350 N with stroke 500 mm



- High protection from atmospheric agents
- Load transmission by rigid spindle
- Equipped with an adjustable eyelet for an easier installation
- Available on request with spindle stroke 180 mm
- Supplied with end bracket
- Supplied with 1 m cable
- To make the installation easy also on window with windowsills or other internal obstacles, the external side of the actuator is supplied with two dovetail guides in which a sliding bracket, to be ordered separately part No. 40536W, can slide for the whole length of the profile.

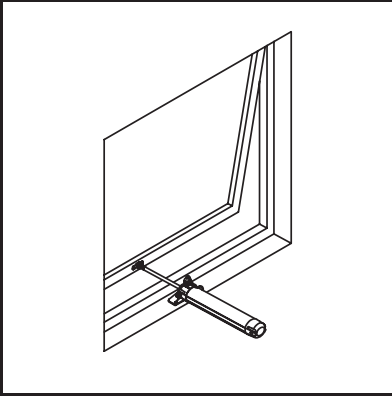
VOLTAGE SUPPLY	230 Vac \pm 10%
ELECTRIC CONNECTION	3 wires + earth
STROKE	300/500 mm
FORCE (push and pull action)	450 N (300 mm) / 350 N (500 mm)
SPEED	~ 20 mm/s
CURRENT ABSORPTION (with max load)	0,7 A
PARALLEL CONNECTION	YES
LIMIT STOP	microswitches
SAFETY STOP	Thermic
TIME RATING	20%
IP PROTECTION	IP 65

PART No.	300 mm	500 mm
STROKE		
SILVER ANODIZED	40541N	40614P
DARK BROWN ANODIZED	40542R	40615S

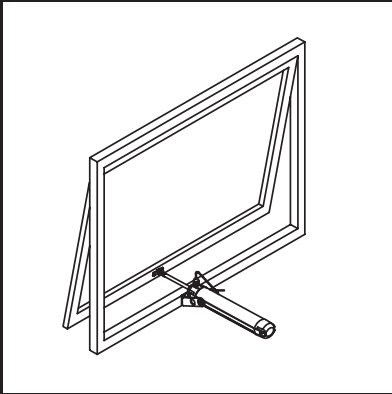
SPECIFICATION PROSPECTS

Electric Linear actuator Ultraflex Control Systems named Max with load transmission by rigid spindle, stroke 300 or 500 mm fixing end bracket included. Force 450 N (350 N for stroke 500). Protection class IP65, Voltage supply 230 Vac. Limit stop by micro switches and thermal protection. Parallel connection. Casing in silver anodized, dark brown anodized. Conform to 73/23 LVD directives - 89/336 EMC as modified per 93/68 CE.

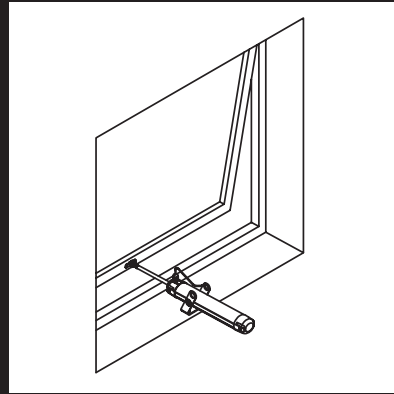
⚠ The instructions for a safe installation are included in the section "SECURITY WARNINGS"



Installation on top hinged window with windowsill with fixing end bracket included



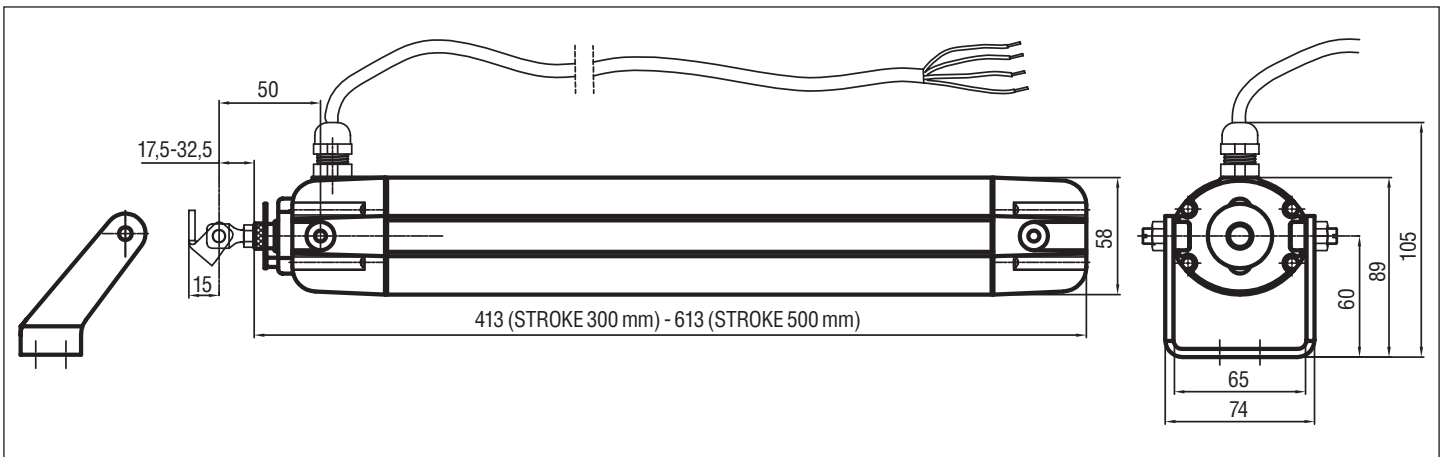
Installation on top hinged window without windowsill with fixing end bracket included or with sliding bracket part No. 40536W



Installation on top hinged window with windowsill with sliding bracket part No. 40536W

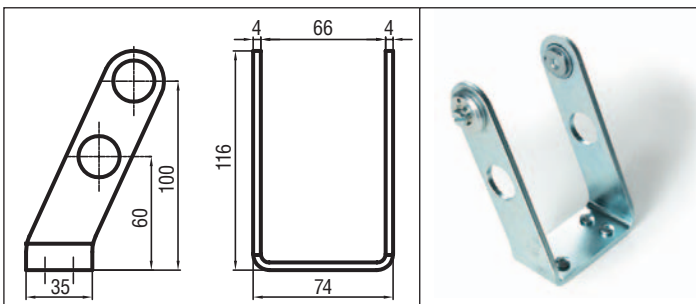


Installation on dome with fixing end bracket included

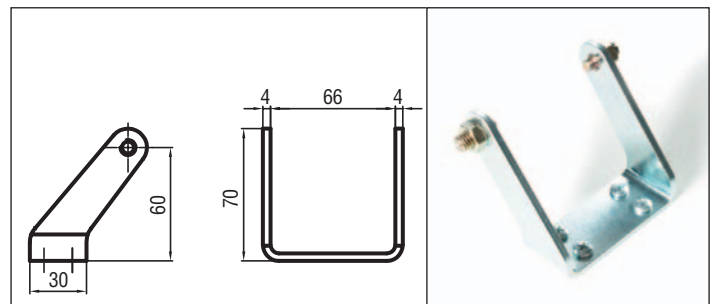


Actuator dim.

Accessories



Sliding steel bracket part No. 40536W



Fixing steel end bracket included