

NOVA and SUPERNOVA

Chain actuators - Force in pull action 200 N - Stroke 250-350 mm

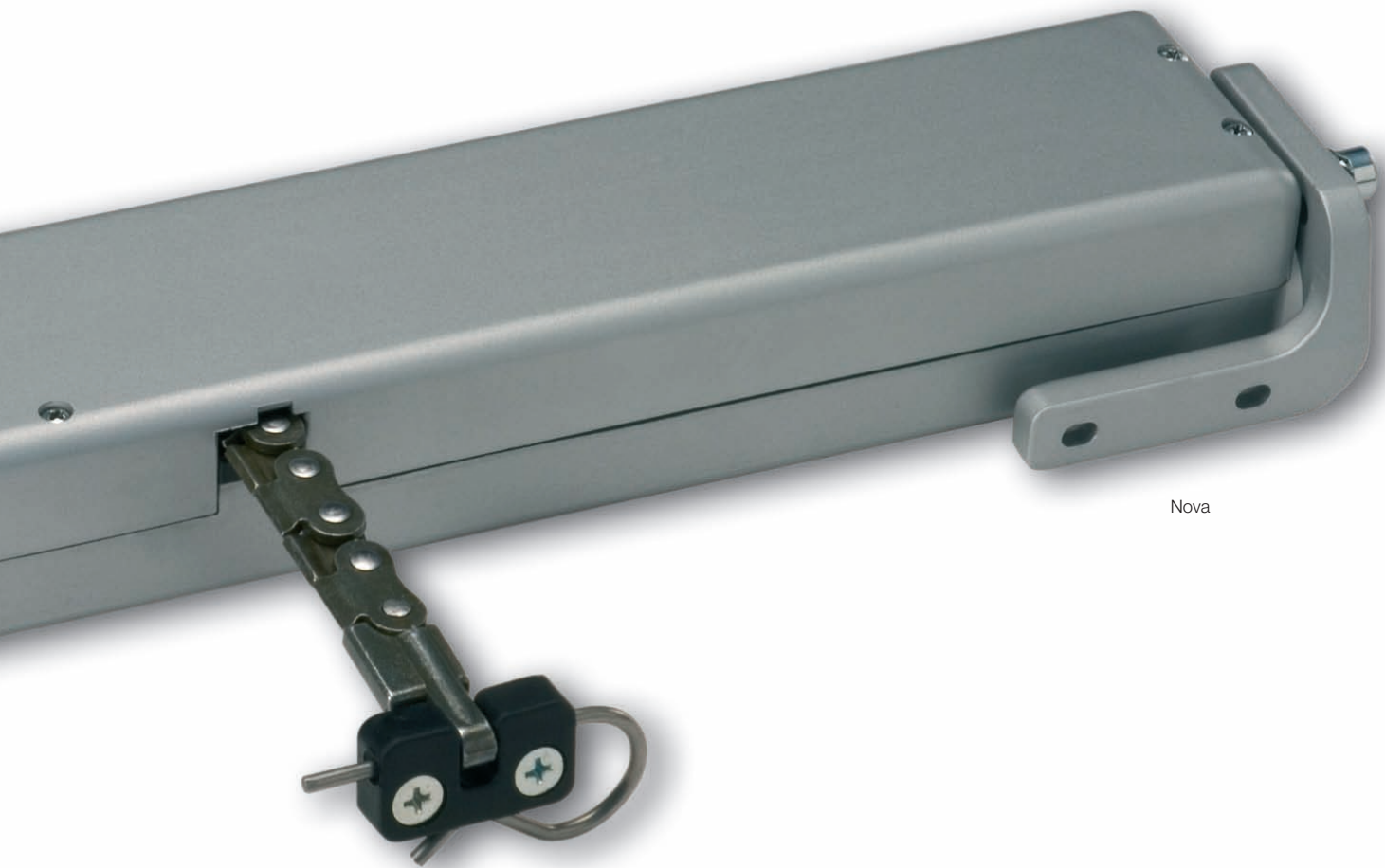


SuperNova



PATENTED CHAIN ACTUATOR

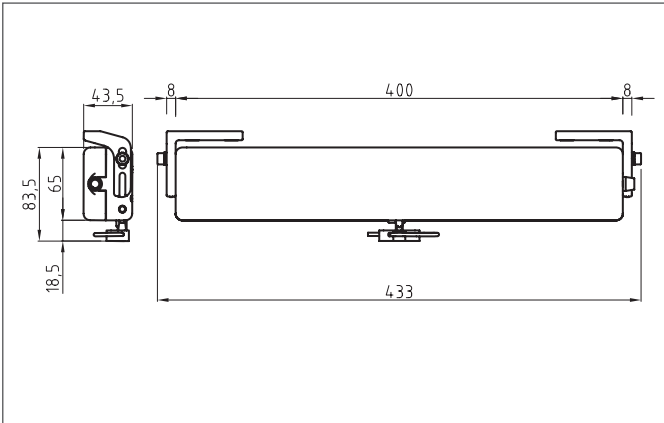
- Available a version with single link chain "NOVA" and a version with double link chain "SUPERNOVA" in order to better resist the load in case of top hinged windows, heavy windows or roof windows.
- Two selectable strokes: 250 mm or 380 mm.
- Glass strengthened nylon casing.
- Double electric insulation actuator (no electric connection to earth is needed).
- Exclusive system for a quick and safe installation.
- Quick release system for an easy window cleaning.
- Supplied with 1,5 mm cable and fixing brackets (NOVA) or pivoting brackets (SUPERNOVA).
- For installation on big top hinged windows select the 250 mm stroke in order to better resist the wind load.
- Minimum window height for the "NOVA" version: 500 mm with stroke 250 mm, 800 mm with stroke 380 mm.
- In case of lower window install the "SUPERNOVA" version, equipped of pivoting brackets.
- In case of vent with four-bar hinges, please contact our Technical Dept. for choosing the suitable fixing brackets.



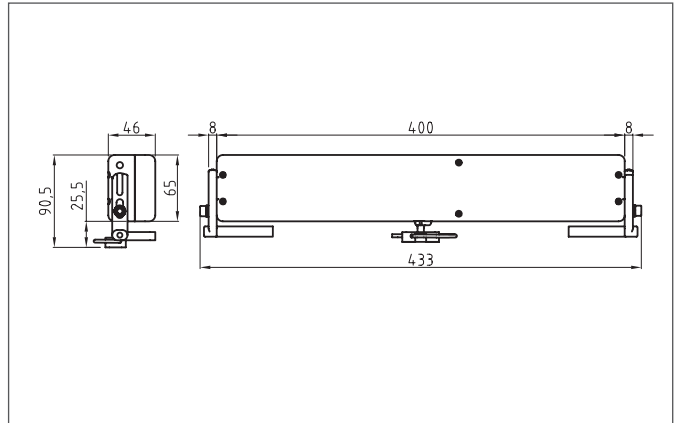
Nova

VOLTAGE SUPPLY	NOVA 230 V ca ± 10 %	SUPERNOVA 230 V ca ± 10 %
ELECTRONIC CONNECTION	4 wires (*)	4 wires (*)
STROKE	Selectable 250 mm/380 mm	Selectable 250 mm/380 mm
FORCE IN PUSH ACTION	180 N (90 N stroke 380 mm)	200 N
FORCE IN PULL ACTION	200 N	200 N
SPEED	~ 40 mm/s	~ 40 mm/s
ABSORPTION (with max load)	0,2 A	0,2 A
PARALLEL CONNECTION	YES	YES
LIMIT STOP	Micro switches	Micro switches
SAFETY STOP	Thermic	Thermic
PROTECTION CLASS	IP 20	IP 20
PART No.		
GRAY	40983X	40986A
BLACK	40984Y	40987B
WHITE	40985Z	40988C

(*) Double electric insulation actuator: no electric connection to earth is needed.



Nova dimensions

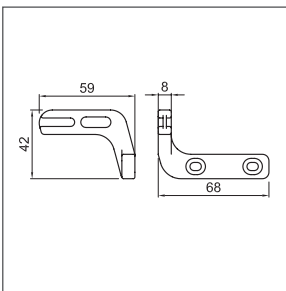


SuperNova dimensions

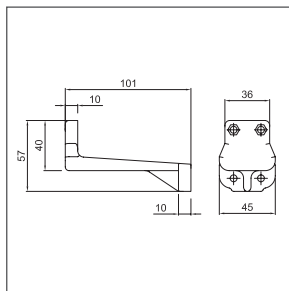
SPECIFICATION PROSPECT

Ultraflex Control Systems double electric insulation actuator with single link chain (NOVA) or double link chain (SUPERNOVA) with selectable stroke 250mm or 380mm. Voltage supply 230 Vca or 24 Vcc. Parallel connection. Limit stop by micro switches and thermic protection. Plastic scratch resistant finish. Conform to 2006/95/CE and 89/336/CEE directives.

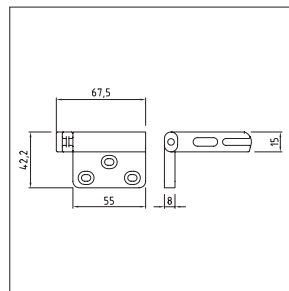
Accessories



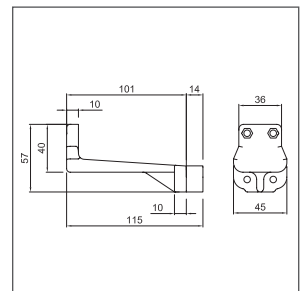
Nova fixing brackets (2 pcs. included)



Nova bottom hinged window plastic bracket part. No. 40996K

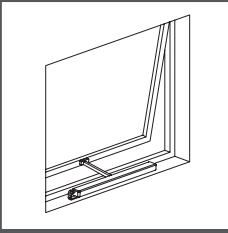


SuperNova pivoting brackets (2 pcs. included)

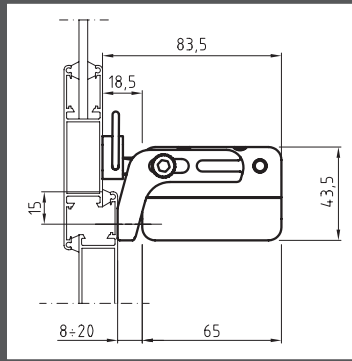


SuperNova bottom hinged window plastic bracket part. No. 40997L

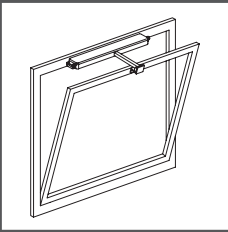
Installation examples



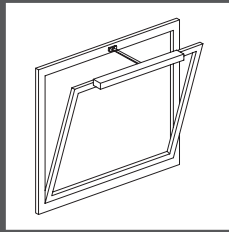
Top hinged windows
NOVA



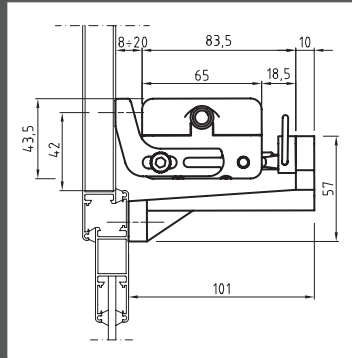
On the windowsill with fixing brackets
included



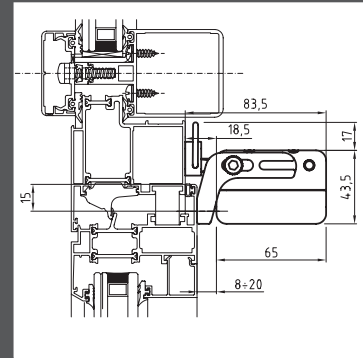
Bottom hinged windows
NOVA



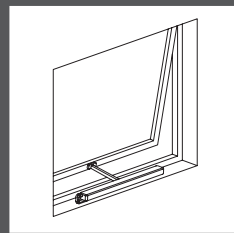
Bottom hinged windows
NOVA



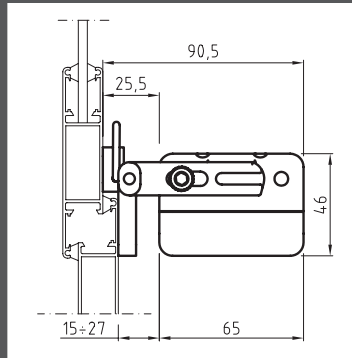
On the frame with fixing brackets included
and bottom hinged pn. 40996K



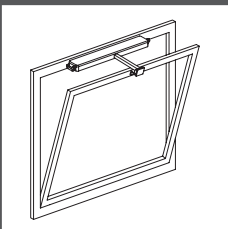
On the vent with fixing brackets included



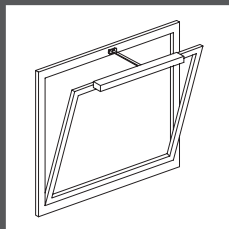
Top hinged windows
SUPERNOVA



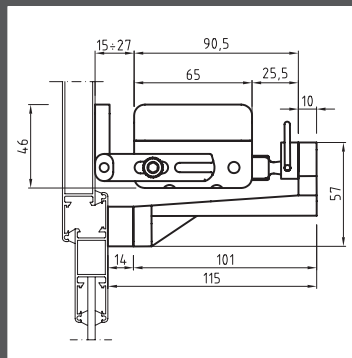
On the windowsill with pivoting brackets
included



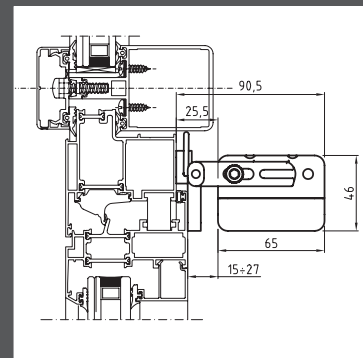
Bottom hinged windows
SUPERNOVA




Bottom hinged windows
SUPERNOVA



On the frame with pivoting brackets
included and bottom hinged brackets
pn. 40997L



On the vent with pivoting brackets
included

 The instructions for a safe installation are included in the section "SECURITY WARNINGS"