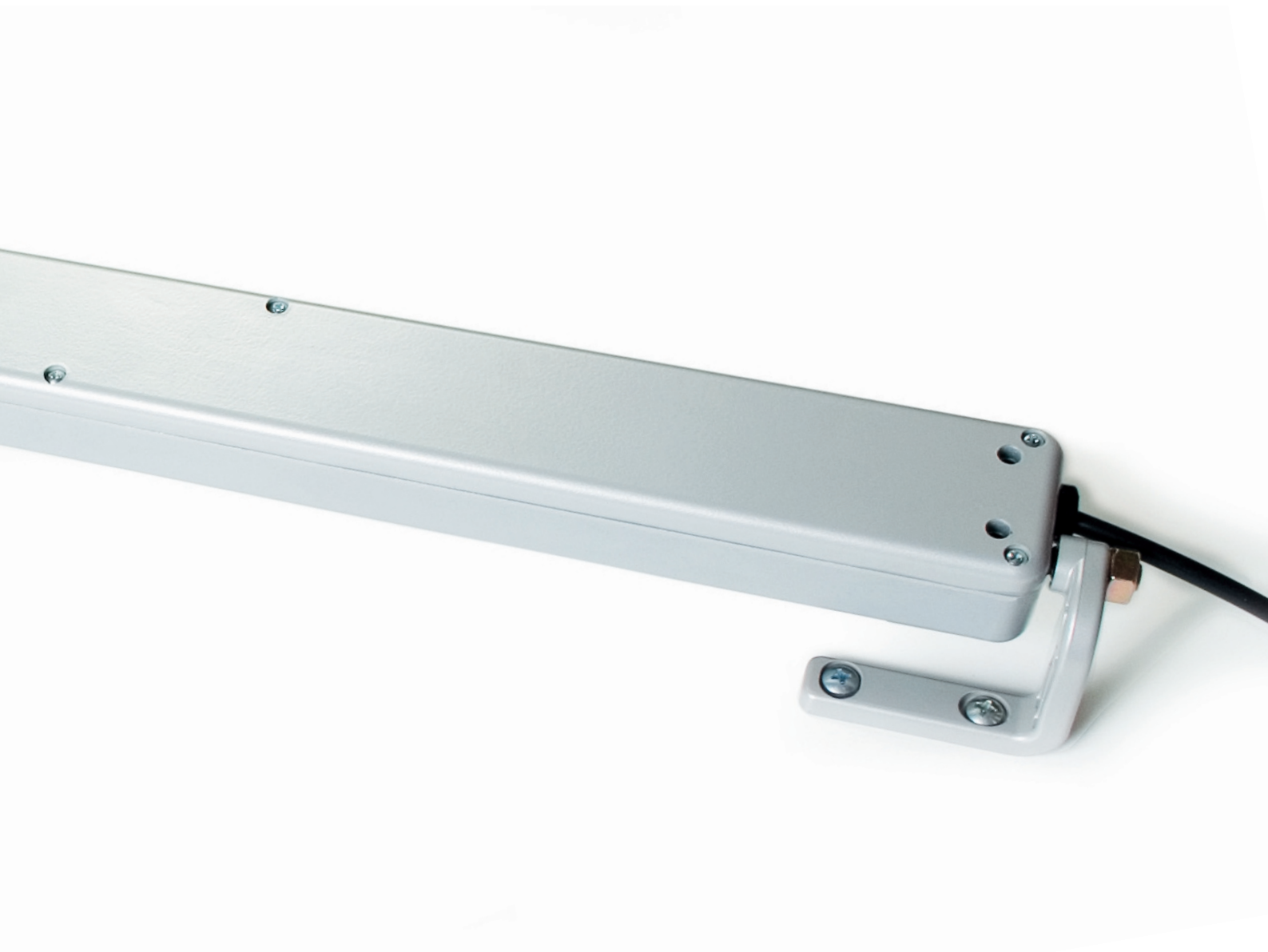


QUASAR

Chain actuator - Force in push action 300 N - Maximum stroke 500 mm



- Highest performance in minimum size: the die-cast aluminium casing has a very small section (47 x 32 mm) and can be easily built-in into the frame of curtain walls.
- New concept double link chain completely in stainless steel.
- Chain exit in central position.
- Quick and easy installation: the manual closing position regulation is not required, avoiding possible mistake. The stop in closing position is regulated by an electronic limit switch.
- If installed on PVC windows, the profile has to be reinforced.
- Electronic stop in the intermediate positions in case of overload.
- Supplied with 1,5 m cable and pivoting brackets.
- The installation without brackets is possible for windows with pivoting hinges only if the vent height is at least 1500 mm.
- Available on request a coupling control box for two actuators 24 Vdc on the same window.
- (*) QUASAR DC is approved of from **TÜV** testing (Nr. KH06/4711.1).

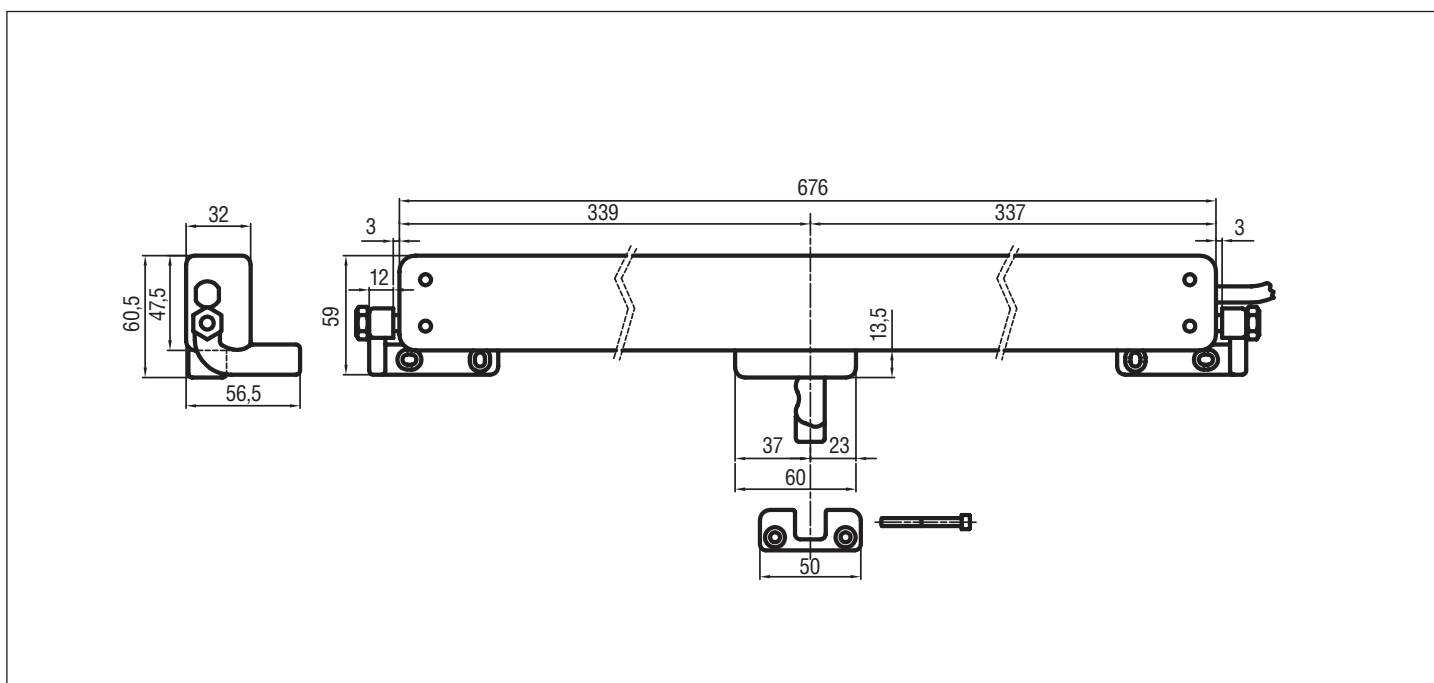
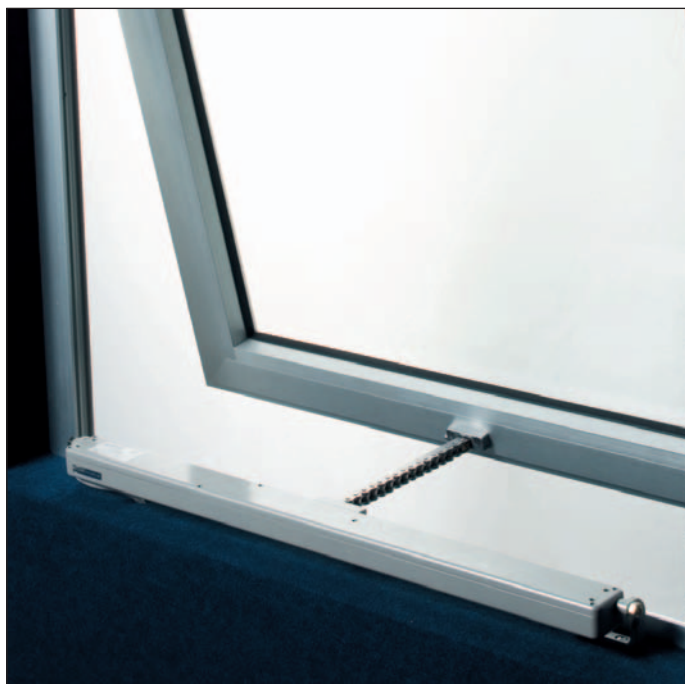


	QUASAR AC	QUASAR DC (*)
VOLTAGE SUPPLY	100 Vac - 240 Vac	24 Vdc ± 10%
ELECTRIC CONNECTION	3 wires + earth	2 wires
OPERATION		by polarity inversion
STROKE	500 mm	500 mm
FORCE (push and pull action)	300 N	300 N
SPEED	~ 15 mm/s	~ 15 mm/s
CURRENT ABSORPTION (with max load)	0,4 A - 0,2 A	0,9 A
PARALLEL CONNECTION	YES	YES
LIMIT STOP	Electronic	Electronic
SAFETY STOP	Electronic	Electronic
TIME RATING	50%	50%
PROTECTION CLASS	IP 30	IP 30

PART No.

GREY	RAL 9006	40837Z	40840C
BLACK	RAL 9005	40838A	40841D
WHITE	RAL 9010	40839B	40842E

QUASAR



Actuator dim.

SPECIFICATION PROSPECTS

Electric chain actuator Ultraflex Control Systems named Quasar with double link chain completely in stainless steel. Voltage supply: from 100 to 240 Vac or 24 Vdc - Electronic limit stop; electronic stop in the intermediate positions in case of overload.

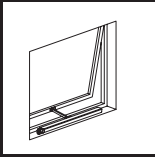
Casing in painted die-cast aluminium with very small section (47x32 mm).

Pivoting brackets included.

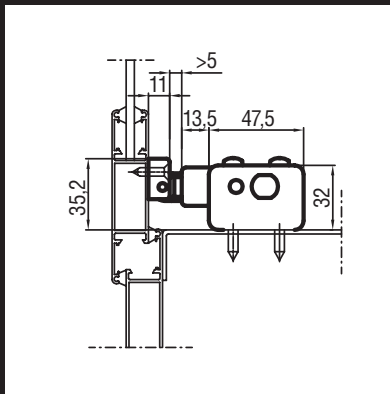
The 100-240 Vac version and the 24 Vdc version are conform to 89/336 EMC directives as modified per 93/68 CE, the 100-240 Vac version is conform to 73/23 LVD directives.

Installation examples

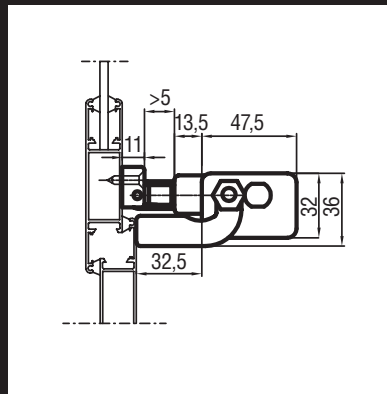
green line



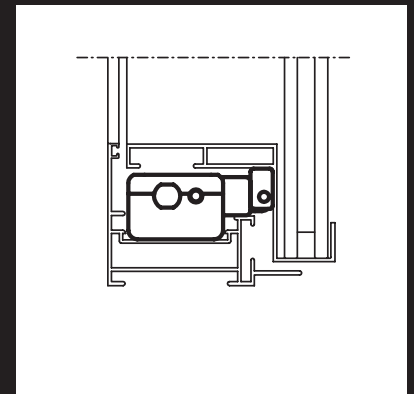
Top hinged windows



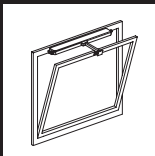
On windows with windowsill



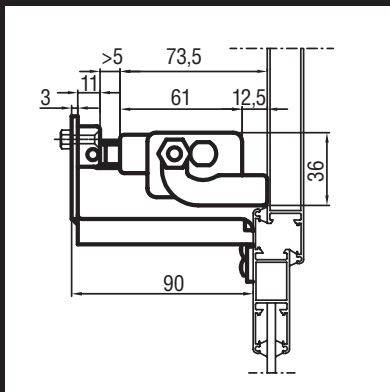
On windows without windowsill with pivoting brackets kit included



Inside a curtain wall frame



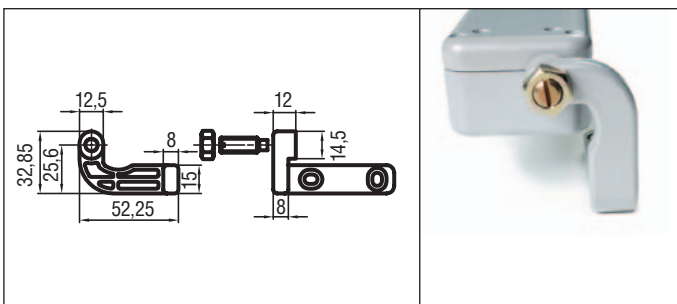
Bottom hinged windows



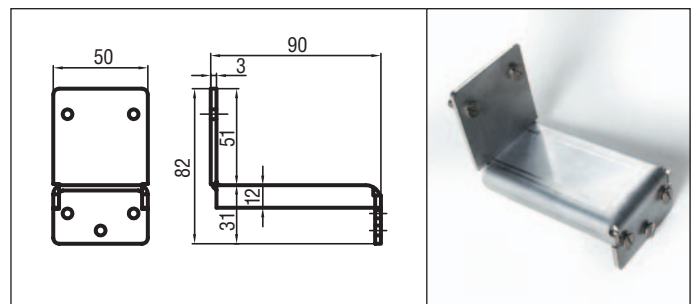
On the frame with pivoting brackets kit and bracket for bottom hinged windows part No. 40858U

⚠ The instructions for a safe installation are included in the section "SECURITY WARNINGS"

Accessories



Pivoting brackets kit (included)



Stainless steel bottom hinged window bracket part No. 40858U