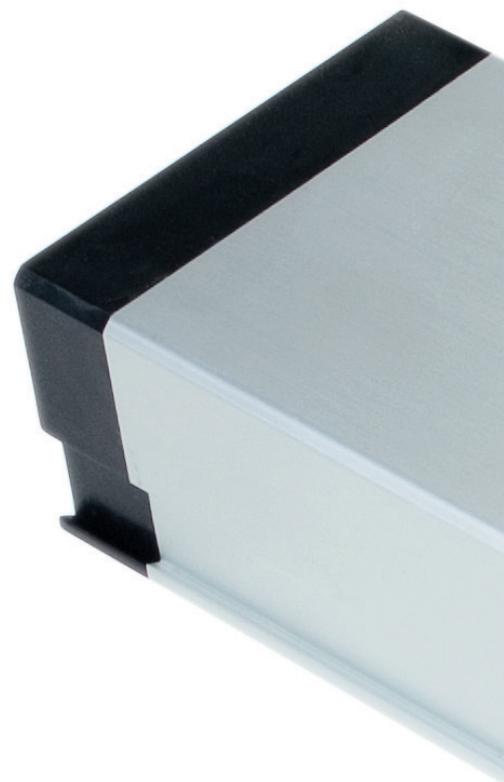


# SINTESI

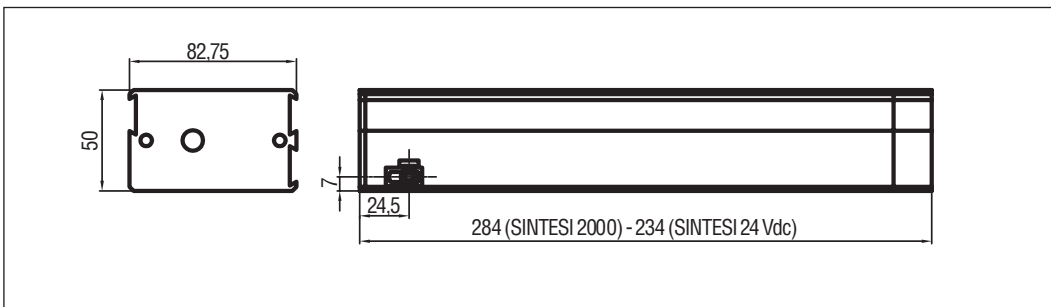
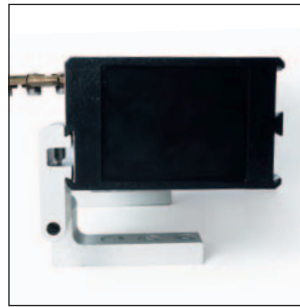
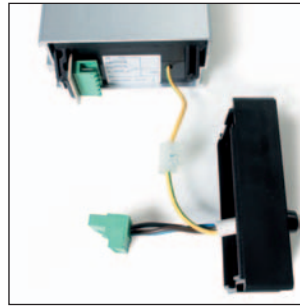
Chain actuator - Force in pull action 300 N - Stroke 250-380 mm



- Possibility of selecting two different strokes: 250 mm or 380 mm.
- Three dovetail slides for an easy installation; the sliding fixing bracket is included in the package.
- SINTESI 2000: Exclusive system for electrical connection. The special removable plug allows a very quick and easy connection. It is ideal for the final test of the actuators on the building site.
- Quick release system for an easy window cleaning.
- For installation on big top hinged windows select the 250 mm stroke in order to better resist to the wind load.
- Minimum window height: 500 mm with 250 mm stroke, 800 mm with 380 mm stroke. In case of lower windows install the pivoting bracket part No. 40560T.
- A longer eyelet is available on request in case of wooden or PVC windows.

VOLTAGE SUPPLY	<b>SINTESI 2000</b> 230 Vac $\pm$ 10%	<b>SINTESI 24 V DC</b> 24 Vdc $\pm$ 10%
ELECTRIC CONNECTION	3 wires + earth	2 wires
OPERATION		by polarity inversion
STROKE	Selectable 250 mm/380 mm	Selectable 250 mm/380 mm
FORCE IN PUSH ACTION	180 N (stroke 250 mm) 90 N (stroke 380 mm)	180 N (stroke 250 mm) 90 N (stroke 380 mm)
FORCE IN PULL ACTION	300 N	200 N
SPEED	~ 40 mm/s	~ 14 mm/s
ABSORPTION (with max load)	0,65 A	0,8 A
END STROKE POSITION SIGNAL	closing	opening/closing
PARALLEL CONNECTION	YES	YES
LIMIT STOP	Micro switches	Micro switches
SAFETY STOP	Thermic	Electronic
TIME RATING	20%	50%
PROTECTION CLASS	IP 20	IP 20
<b>PART No.</b>		
SILVER ANODIZED	40313C	37127H
DARK BROWN ANODIZED	40314D	37128K
WHITE PAINTED RAL 9010	40316F	37129L



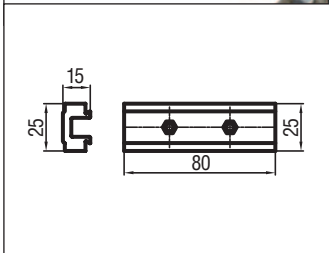


Actuator dim.

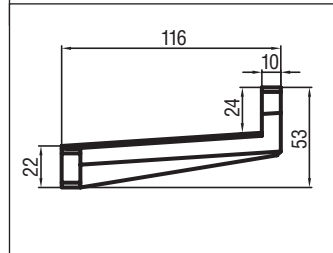
## SPECIFICATION PROSPECTS

Electric chain actuator Ultraflex Control Systems named Sintesi with selectable stroke 250 mm or 380 mm. Voltage supply 230 Vac or 24 Vdc. Removable plug for electrical connection (230 Vac version). Parallel connection. Limit stop by micro switches, thermal protection in case of overload (230 Vac version) or electronic safety stop (24 Vdc version). Casing in silver anodized, dark brown anodized, white painted RAL 9010. The 230 Vac version and the 24 Vdc version are conform to 89/336 EMC directives as modified per 93/68 CE, the 230 Vac version is conform to 73/23 LVD directives.

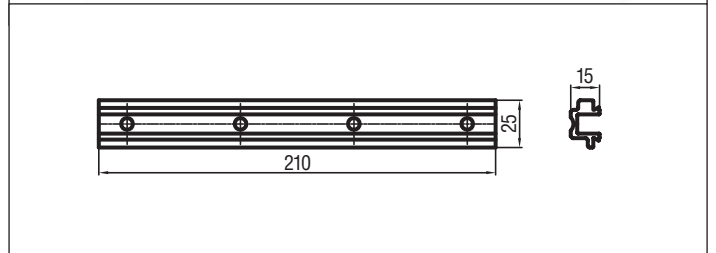
## Accessories



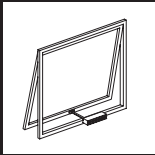
Sliding plastic fixing bracket (included)



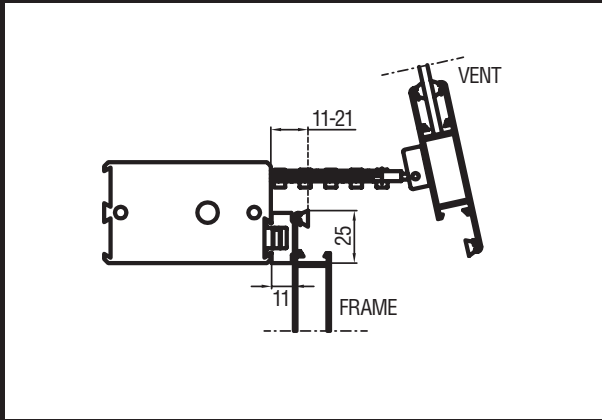
Bottom hinged window plastic bracket part No. 40625V



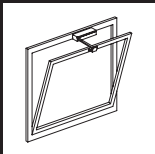
Long sliding aluminium bracket part No. 37021U for heavy windows and smoke and heat extraction installation



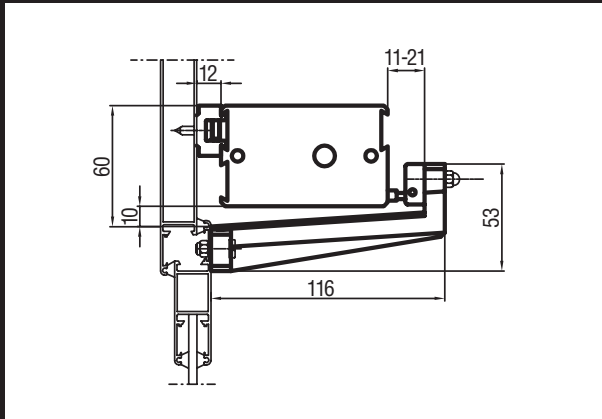
Top hinged window



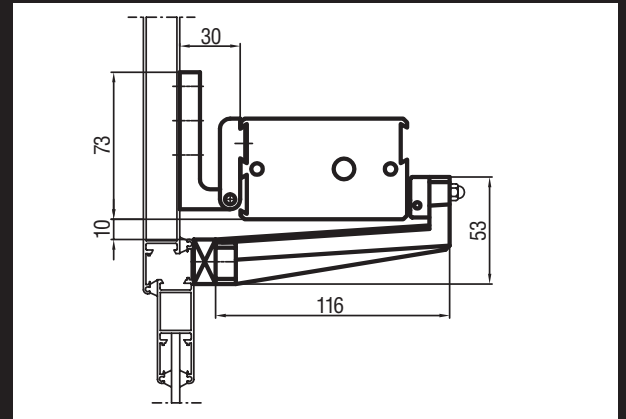
On the frame with the sliding fixing bracket included



Bottom hinged window



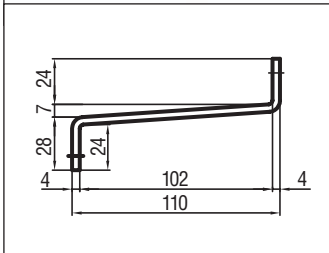
On the frame with the sliding fixing bracket included and the bottom hinged window bracket part No. 40625V



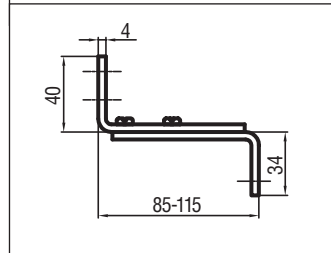
On the frame with the bottom hinged window bracket part No. 40625V and pivoting brackets part No. 40560T

⚠ The instructions for a safe installation are included in the section “SECURITY WARNINGS”

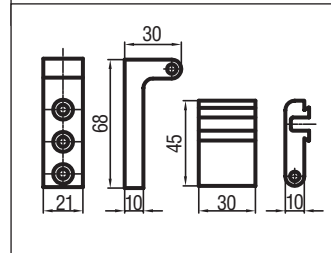
**Accessories**



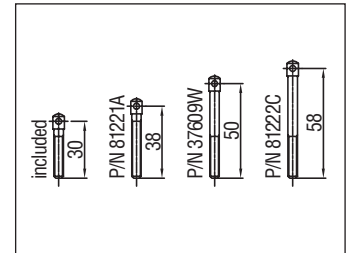
Bottom hinged window bracket part No. 401571 for smoke extraction installation and heavy windows



Adjustable aluminium bracket for bottom hinged window part No. 37493H



Aluminium dovetail pivoting bracket part No. 40560T



Chain tie-rods for special installation (for example wood or PVC window frame)