

CAT

Manual chain opener

mec line

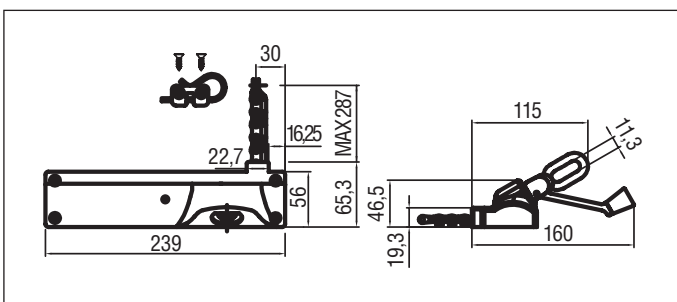


- Manual chain operator for skylights, roof windows and top hinged windows.
- Easy and quick installation on wood, metal and PVC windows.
- Maximum opening approx. 290 mm. It is possible to stop the sash in any position.
- Allows window operation without remove any insect screen.
- When closed it is not possible to open the window from outside.
- Smooth and easy operation.
- Quick release system for easy window cleaning.
- Corrosion protected chain. Suitable for windows with more than 300 mm height.
- The CAT chain actuator can be equipped with a handle for installation on windowsill or eyelet for operation by crank handle for skylights or roof windows;

PART No.	WHITE RAL 9010	BLACK RAL 9005	GREY RAL 9006
CAT chain opener	40761B	40807V	40808W
HANDLE	40763D	40811Z	40812A
EYELET	40762C	40809X	40810Y
CRANK HANDLES Lenght	1500 mm	40764E	
	2000 mm	40765F	
	2500 mm	40766G	
	3000 mm	40767H	

SPECIFICATION PROSPECTS

Ultraflex Control Systems manual actuator with chain for operating top hinged windows by handle or skylights by eyelet and crank handle. Maximum stroke 290 mm.



Actuator dim.

Vent maximum weight for CAT installation:

Top hinged windows

8 Kg	if the vent height is	300 mm
22 Kg	if the vent height is	400 mm
48 Kg	if the vent height is	600 mm
100 Kg	if the vent height is	1000 mm

Roof windows or skylights

35 Kg maximum weight with 290 mm stroke.
Please contact technical service for further informations.
The above values do not include any wind or snow load.

⚠ The instructions for a safe installation are included in the section "SECURITY WARNINGS".