

# CHAIN OPENERS

Opening mechanisms for top and bottom hinged windows



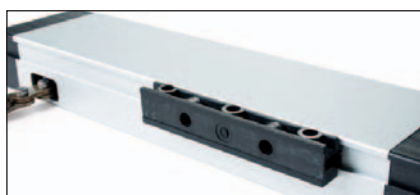
- Available with 250 mm or 380 mm stroke.
- Suitable for bottom hinged, top hinged and centre hinged windows.
- Versatility and simplicity of installation.
- Quick connection of the conduit to the chain opener: it's not necessary to work the conduit.
- Provided with quick release connector for an easy window cleaning.
- Minimum size: the minimum space for the mounting is 16 mm for top hinged windows and 36 mm for bottom hinged windows.
- The window opening stroke cannot exceed 1/3 of the window height. The chain stroke can be adjusted acting on the lock spring.
- The installation must be carried out in order to allow the cable working in pull action during the load operation (ex. in closing phase for bottom hinged windows and the opening phase for top hinged windows).
- In installations with two or more windows placed side by side, rotary junction boxes mechanism are not required.
- On windows wider than 1,5 m or anyway with a large area, for better stability to wind, it is suggested to install two or more chain openers.

**PART No.:** WHITE RAL 9010  
BLACK ANODIZED  
SILVER ANODIZED

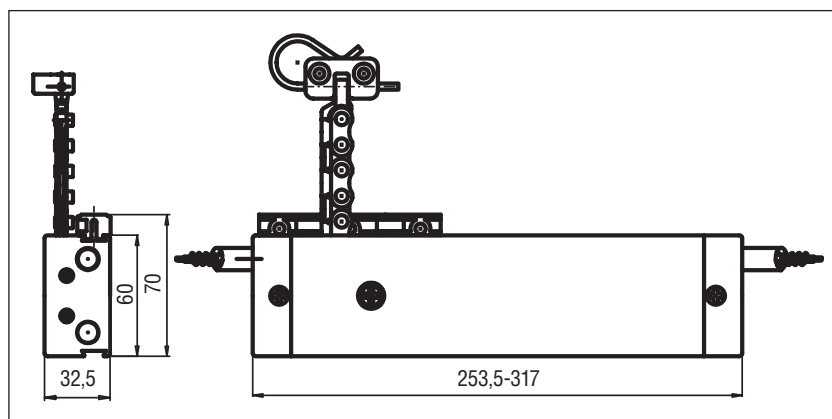
**Stroke 250 mm**  
37566D  
37565C  
37564B

**Stroke 380 mm**  
37569I  
37568H  
37567E

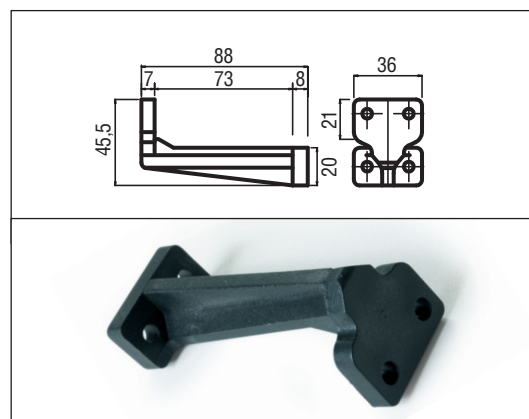
⚠ The instructions for a safe installation are included in the section "SECURITY WARNINGS".  
On bottom hinged windows for safety reasons always install side checks.



Bracket for top hinged window (included)



Mechanism dim.



Bracket for bottom hinged part No. 37616T