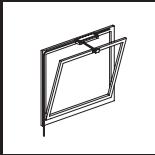
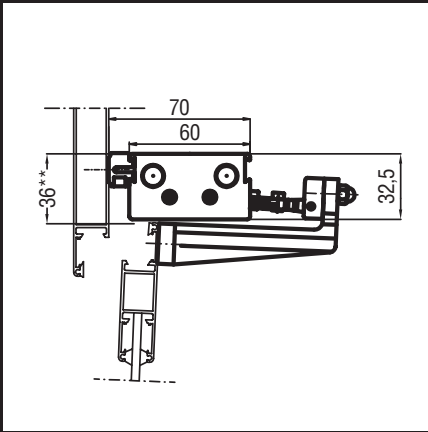


## Exemples of single installations

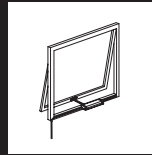
**mec line**



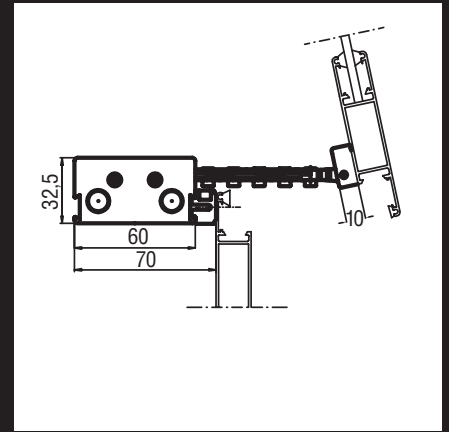
Bottom hinged window



On window frame with included bracket and bracket for bottom hinged window part No. 37616T.  
Necessary space for installation 36 mm

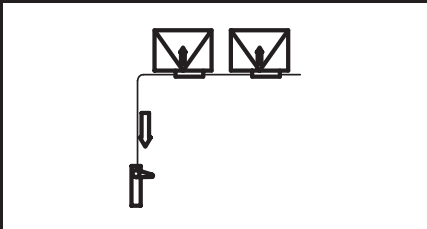


Top hinged window

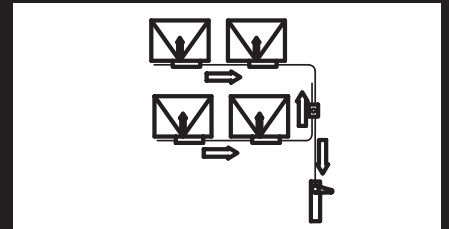
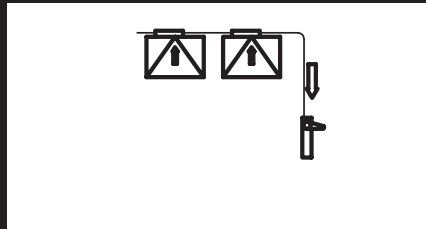


On window frame with included bracket.  
Necessary space for installation 16 mm

## Exemples of multiple installations

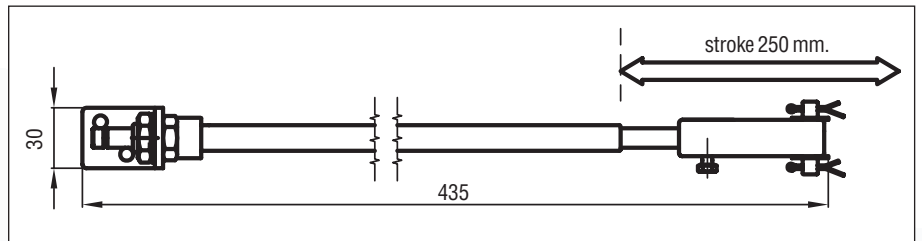


The arrows show direction of cable run during window opening



# FORKS

Opening mechanisms for louvres

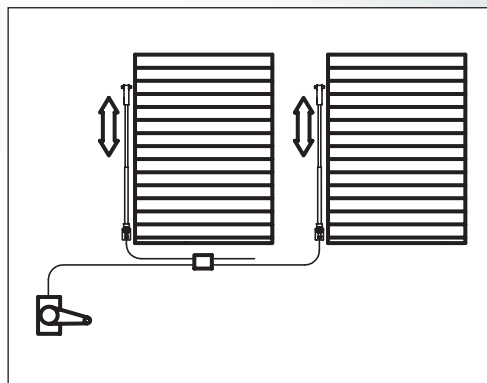


Fork dim.

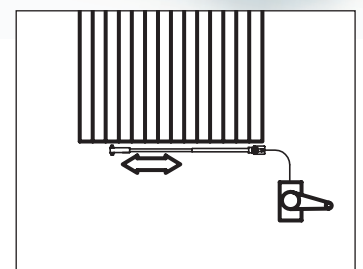
## FORK AND SWIVEL - HEAVY DUTY (travel 250 mm)

PART No. 30758E

- Suitable for horizontal or vertical sun louvre blades, both for one or more windows.
- Made in stainless steel, it's suitable both for internal and external installations.
- A geared operator should be used for sun-blades and vertical louvres with more than 10 blades or for horizontal louvres with more than 14 blades.
- For installation with more than one window, rotary junction boxes have to be used.



On horizontal louvre blades



On vertical sun blades