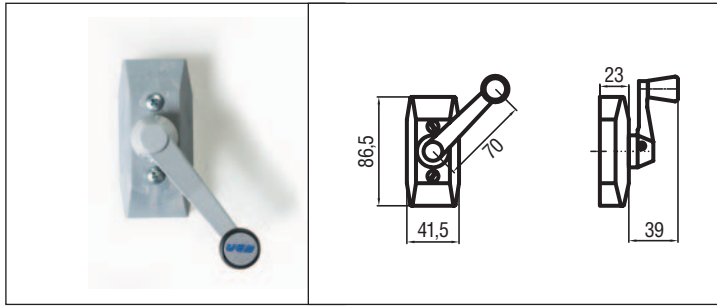


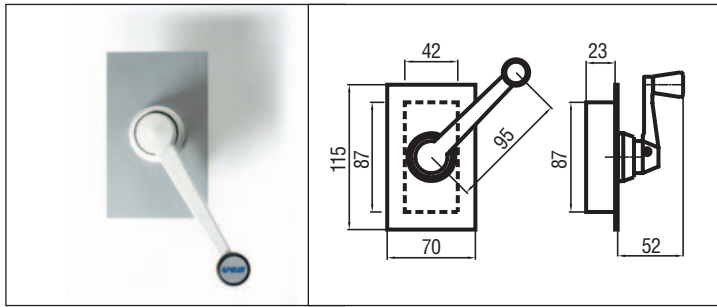
CONTROL OPERATORS



FLAT OPERATOR

PART No.	White	RAL 9010	31560R
	Black	RAL 9005	37161J
	Grey	RAL 9006	40133A

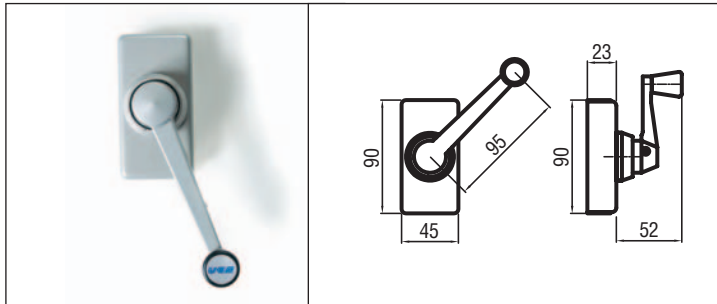
- It can be used with the 25 cm and 38 cm chain openers and with the locking opener for single bottom hinged windows.
- The inside mechanism and the handle are made in metal and the cover in plastic.
- Maximum cable length: 6 m. The spent travel tube is external.



CONCEALED OPERATOR

PART No.	White	RAL 9010	30745X
----------	-------	----------	--------

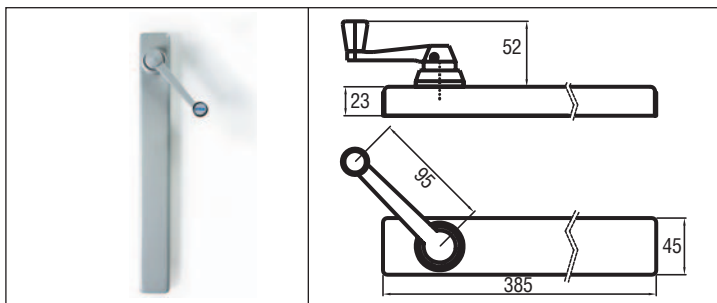
- It can be used with all opening mechanisms.
- It can be concealed into the wall or into the aluminium frame together with the spent travel tube.
- Completely made in metal with painted handle and aluminium anodized cover.



MINI OPERATOR

PART No.	White	RAL 9010	30748C
	Black	RAL 9005	36964S
	Grey	RAL 9006	36813E

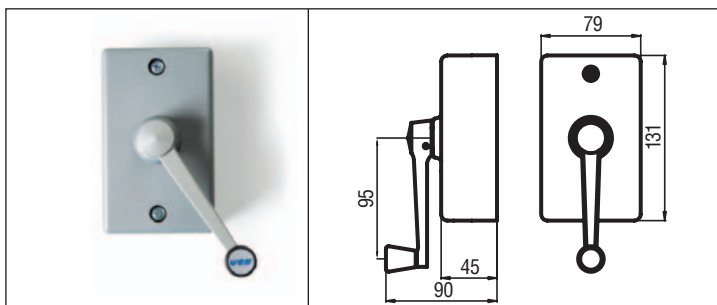
- It can be used with all opening mechanisms.
- Completely made in metal.
The spent travel tube is external.



SIMPLE OPERATOR

PART No.	White	RAL 9010	30750U
	Black	RAL 9005	32594G
	Grey	RAL 9006	37035E

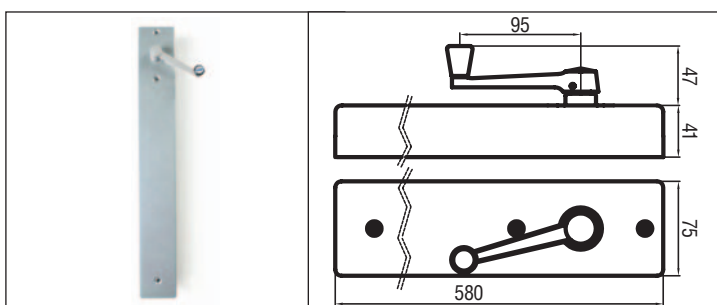
- Style and efficiency are the main features of this operator.
- It incorporates the antitorion spent travel tube which allows a maximum stroke of 25 cm. Therefore it is not suitable to be used with the 38 cm chain openers.
- Completely made in metal.



GEARED OPERATOR

PART No.	White	RAL 9010	40517S
	Black	RAL 9005	40543T
	Grey	RAL 9006	40544V

- Ratio: 5:1
- It can be used with all opening mechanisms.
- Particularly suitable for operating many windows simultaneously and moving heavy windows.
- The inside mechanism and the handle are made in metal. The front cover is made in plastic. The spent travel tube is external.



GEARED OPERATOR WITH LONG METALLIC COVER

PART No.	White	RAL 9010	40777R
	Black	RAL 9005	40778S
	Grey	RAL 9006	40779T

- Version of geared operator with inner anti-torque spent travel tube and metal cover